

Sleeve and Flanged Bearings



PRODUCT INFORMATION AND SELECTION GUIDE

Duramax Marine® is an ISO 9001:2015 Certified Company

DURAMAX MARINE®





Johnson® CUTLESS® BEARINGS

The Water-Lubricated Bearing That Has Nothing More To Prove.

It's proven itself for years at sea. No other water-lubricated bearing is used in more vessels worldwide than a Johnson Cutless® Rubber Bearing. It has set industry standards for decades in the harshest working environments, earning the trust of more marine professionals than any other bearing. The performance and operating characteristics of our resilient bearings are unique when compared to other water-lubricated bearings. 90% of the U.S. Navy surface ships and submarines run with the same water-lubricated bearing technology.

Johnson Cutless® is Designed for Unmatched Performance and Long Life.

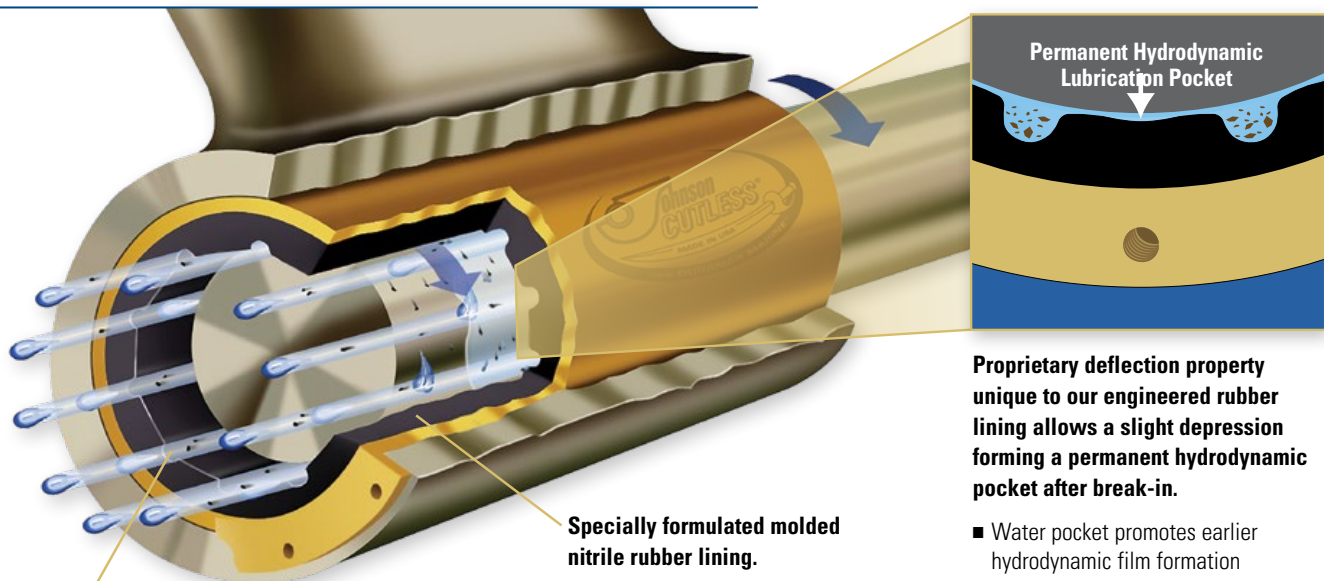


High Quality Materials & Design.

Johnson Cutless® Sleeve and Flanged Bearings for heavy-duty commercial, government and pleasure craft applications, feature a specially formulated nitrile molded rubber lining firmly bonded to a shell material. Shells for sleeve bearings are seamless naval brass and are also available with a rugged non-metallic shell. Shells for flanged bearings are one-piece centrifugally cast naval bronze with an integral flange.

Other types of shells, such as stainless steel, Monel, or aluminum can be furnished to order. All bearings are precision machined to close tolerances and fully inspected.

The rubber, a proprietary formulation of extremely tough chemical and oil-resistant nitrile, is molded to fit the shaft in accordance with U.S. Navy BuShips approved clearances for efficient water lubrication.



Engineered geometry optimized for superior performance.

- Prevents shaft whip and absorbs vibration
- Assures maximum water lubrication
- Flushes abrasives away, preventing scoring of shaft

Specially formulated molded nitrile rubber lining.

- Permanently bonded to a precision-machined naval brass outer shell
- Resists oil, grease and chemicals

Proprietary deflection property unique to our engineered rubber lining allows a slight depression forming a permanent hydrodynamic pocket after break-in.

- Water pocket promotes earlier hydrodynamic film formation
- Pocket significantly reduces friction and wear
- The longer a Cutless® runs the better it gets

Water -The Ideal lubricant.

Water is the ideal lubricant because of its non-compressibility, cooling properties and abundant availability. When contained between sliding surfaces it forms a lubricating film with low coefficient of friction. And water is, of course, non-polluting. In rubber-lined bearings for metal shafts, water as a lubricant is at its most efficient -owing to its affinity for metal, but not for rubber. With Johnson Cutless® rubber bearings, the water enters the grooves and moves radially between the propeller shaft and the rubber. Contaminants and abrasives are flushed away through the grooves.

Better Concentricity.

Some bearings are manufactured using centerless grinding techniques to finish the outside diameter. Centerless grinding the shell on a sleeve bearing provides a fine finish, but it may not be an indication of a high quality bearing. Since the centerless grinding process does not take the inside diameter of the bearing into account, the centers of the outside diameter and inside diameter may not be the same. When you install a bearing like this into a housing, the shaft may be off-center in the bearing. Johnson Cutless® Bearings are machined on the inside diameter. Once the inside diameter is bored to the correct dimension, a mandrel is inserted and the outside diameter is turned to the correct dimension. This results in good bearing concentricity and provides you with a quality product you can trust.



Class II Bearing on US Navy Qualified Products List.

Duramax® Marine LLC has gone to great lengths to provide you with one of the best quality and highest-performing bearings available. Johnson Cutless® Bearings meet all requirements of MIL-DTL-17901C (SH) Class II. This United States military specification is more than just a classification approval; it is a stringent set of performance tests that a bearing must pass to become approved.

Quality Inspection.

After machining the bearings, Duramax® Marine LLC inspects them to verify the accuracy of dimensions. Plug gages, one of the most accurate ways to measure a rubber bearing, are used on bearings for shaft sizes under 6-inches (152.40mm) in diameter. For larger sizes, Duramax® Marine LLC inspectors use ID micrometers. The bearings are also inspected for blemishes, imperfections and delamination in both the rubber and shell material. The bond between the rubber and shell material is also checked.

Research & Development Program.

When a company is dedicated to producing the highest quality bearings, research and development becomes a critical aspect of creating technology for the industry. Duramax® Marine LLC has over 50 years of experience in the bearing business and operates a bearing test laboratory for the development of new bearing materials and performance testing of competitive materials. As a result, Duramax® Marine LLC is looked to as a leader in water-lubricated bearing technology and will continue to innovate and to provide you with longer lasting, better-performing bearings.

Excellent Distribution & Availability.

In addition to high quality bearings, Duramax® Marine LLC is committed to having the bearings available for you when you need them. This is accomplished with field warehouses around the world. Duramax® Marine LLC has one of the largest distribution networks in the industry. The answer to your bearing needs is only a telephone call, fax or email away. If the bearing is not available locally, chances are it can be shipped from another location from stock.



Naval Brass Sleeve Bearings

INCH SIZE SERIES

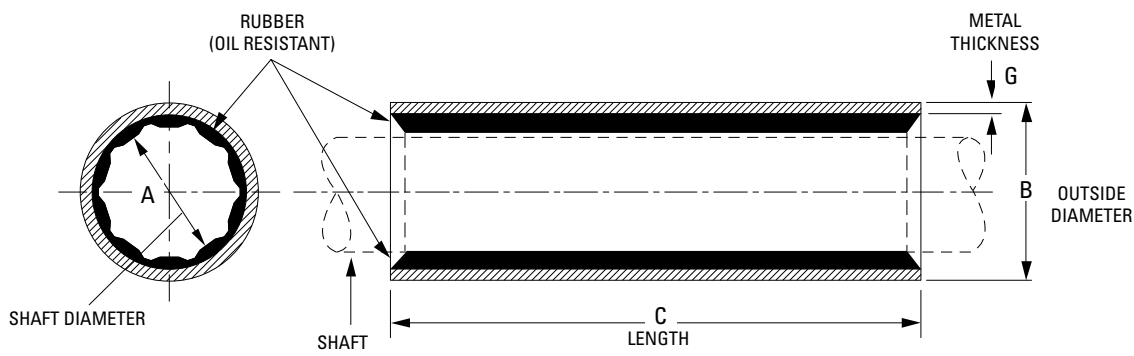


Johnson Cutless® Naval Brass Sleeve Bearings adapt equally well to strut and stern tube mounts, and are often used effectively as rudder-stock and pintle bushings. Bearing diameters are precision fitted to the designated shaft size with the correct clearance for efficient water lubrication. External brass shells are machined and polished to provide easy fitting. Specially formulated oil and chemical resistant nitrile rubber is securely bonded to the shell. Units with thin shells are available for the struts of small craft. Sleeve bearings are usually installed by light press-fitting and locked in place with cone-pointed set screws.

PRECAUTION:

When shrink fitting of the bearing is required, chilling must be achieved by gradual cooling to not more than minus 20°F(-28°C) using freezer or regular ice (**DO NOT DRY ICE**). NOTE: Pounding or shocking the bearing while in the chilled state could cause the rubber to separate from the shell.

Approved Bearings: Johnson Cutless® Naval Brass Sleeve Bearings meet military specification MIL-DTL-17901C (SH) Class II Full-Molded type and have full type approval from The American Bureau of Shipping.



| Part Number | Code | A | | B | | C | | G | | Gross Wt. | |
|-------------|--------|--------------------------|-------|----------------------------|-------|------------------|--------|---------------------------|------|-----------|-----|
| | | Shaft Diameter inches | mm | Outside Diameter inches | mm | Length inches | mm | Metal Thickness inches | mm | lb. | kg. |
| 870192100 | ABLE | 3/4 | 19.05 | 1 1/4 | 31.75 | 3 | 76.20 | 1/8 | 3.18 | 0.5 | 0.2 |
| 870222100 | * ACID | 7/8 | 22.23 | 1 1/4 | 31.75 | 3 1/2 | 88.90 | 1/16 | 1.59 | 0.4 | 0.2 |
| 870222101 | APEX | 7/8 | 22.23 | 1 3/8 | 34.93 | 3 1/2 | 88.90 | 1/8 | 3.18 | 0.7 | 0.3 |
| 870222102 | ATOM | 7/8 | 22.23 | 1 1/2 | 38.10 | 3 1/2 | 88.90 | 1/8 | 3.18 | 0.8 | 0.4 |
| 870252100 | * BACK | 1 | 25.40 | 1 1/4 | 31.75 | 4 | 101.60 | 1/16 | 1.59 | 0.4 | 0.2 |
| 870252144 | * BADE | 1 | 25.40 | 1 1/4 | 31.75 | 6 | 152.40 | 1/16 | 1.59 | 0.6 | 0.3 |
| 870252101 | BAIT | 1 | 25.40 | 1 3/8 | 34.93 | 4 | 101.60 | 1/16 | 1.59 | 0.5 | 0.2 |
| 870252102 | BALE | 1 | 25.40 | 1 1/2 | 38.10 | 4 | 101.60 | 1/8 | 3.18 | 0.7 | 0.3 |
| 870252103 | BAND | 1 | 25.40 | 1 5/8 | 41.28 | 4 | 101.60 | 1/8 | 3.18 | 0.9 | 0.4 |
| 870252104 | BASE | 1 | 25.40 | 2 | 50.80 | 4 | 101.60 | 1/8 | 3.18 | 1.3 | 0.6 |
| 870292100 | * BEAM | 1 1/8 | 28.58 | 1 1/2 | 38.10 | 4 1/2 | 114.30 | 1/16 | 1.59 | 0.6 | 0.3 |
| 870292101 | BELT | 1 1/8 | 28.58 | 1 5/8 | 41.28 | 4 1/2 | 114.30 | 1/8 | 3.18 | 1.0 | 0.5 |
| 870292102 | BEND | 1 1/8 | 28.58 | 1 3/4 | 44.45 | 4 1/2 | 114.30 | 1/8 | 3.18 | 1.1 | 0.5 |
| 870292103 | BILL | 1 1/8 | 28.58 | 2 | 50.80 | 4 1/2 | 114.30 | 1/8 | 3.18 | 1.4 | 0.6 |
| 870322100 | * BIND | 1 1/4 | 31.75 | 1 1/2 | 38.10 | 5 | 127.00 | 1/16 | 1.59 | 0.6 | 0.3 |
| 870322101 | BIRD | 1 1/4 | 31.75 | 1 3/4 | 44.45 | 5 | 127.00 | 1/8 | 3.18 | 1.2 | 0.5 |
| 870322102 | BITE | 1 1/4 | 31.75 | 2 | 50.80 | 5 | 127.00 | 1/8 | 3.18 | 1.5 | 0.7 |
| 870322103 | BLOW | 1 1/4 | 31.75 | 2 1/8 | 53.98 | 5 | 127.00 | 1/8 | 3.18 | 1.7 | 0.8 |
| 870352100 | BOAT | 1 3/8 | 34.93 | 1 7/8 | 47.63 | 5 1/2 | 139.70 | 1/8 | 3.18 | 1.4 | 0.6 |
| 870352101 | BOLD | 1 3/8 | 34.93 | 2 | 50.80 | 5 1/2 | 139.70 | 1/8 | 3.18 | 1.5 | 0.7 |
| 870352102 | BOND | 1 3/8 | 34.93 | 2 1/8 | 53.98 | 5 1/2 | 139.70 | 1/8 | 3.18 | 1.8 | 0.8 |
| 870352103 | BOOT | 1 3/8 | 34.93 | 2 3/8 | 60.33 | 5 1/2 | 139.70 | 1/8 | 3.18 | 1.8 | 0.8 |
| 870382100 | BOSS | 1 1/2 | 38.10 | 2 | 50.80 | 6 | 152.40 | 1/8 | 3.18 | 1.6 | 0.7 |
| 870382101 | BRAD | 1 1/2 | 38.10 | 2 3/8 | 60.33 | 6 | 152.40 | 1/8 | 3.18 | 2.2 | 1.0 |
| 870412100 | BREW | 1 5/8 | 41.28 | 2 1/8 | 53.98 | 6 1/2 | 165.10 | 1/8 | 3.18 | 2.0 | 1.9 |
| 870412101 | BRIM | 1 5/8 | 41.28 | 2 5/8 | 66.68 | 6 1/2 | 165.10 | 1/8 | 3.18 | 2.6 | 1.2 |
| 870452100 | BROW | 1 3/4 | 44.45 | 2 3/8 | 60.33 | 7 | 177.80 | 1/8 | 3.18 | 2.3 | 1.0 |

All Bearings Shown Are Carried in Stock

*Slimline Bearing

| Part Number | Code | A Shaft Diameter | | B Outside Diameter | | C Length | | G Metal Thickness | | Gross Wt. | |
|-------------|------|---------------------|--------|-----------------------|--------|-------------|--------|----------------------|-------|-----------|------|
| | | inches | mm | inches | mm | inches | mm | inches | mm | lb. | kg. |
| 870452102 | BRUT | 1 3/4 | 44.45 | 2 1/2 | 63.50 | 7 | 177.80 | 3/32 | 2.38 | 2.5 | 1.1 |
| 870452101 | BUCK | 1 3/4 | 44.45 | 2 5/8 | 66.68 | 7 | 177.80 | 1/8 | 3.18 | 2.8 | 1.3 |
| 870482100 | BULB | 1 7/8 | 47.63 | 2 5/8 | 66.68 | 7 1/2 | 190.50 | 1/8 | 3.18 | 2.8 | 1.3 |
| 870482101 | BULL | 1 7/8 | 47.63 | 2 15/16 | 74.61 | 7 1/2 | 190.50 | 3/32 | 2.38 | 3.1 | 1.4 |
| 870512100 | CALL | 2 | 50.80 | 2 5/8 | 66.68 | 8 | 203.20 | 1/8 | 3.18 | 2.8 | 1.3 |
| 870512143 | CAMP | 2 | 50.80 | 2 3/4 | 69.85 | 8 | 203.20 | 1/8 | 3.18 | 3.3 | 1.5 |
| 870512101 | CALM | 2 | 50.80 | 3 | 76.20 | 8 | 203.20 | 1/8 | 3.18 | 3.8 | 1.7 |
| 870542100 | CAME | 2 1/8 | 53.98 | 2 15/16 | 74.61 | 8 1/2 | 215.90 | 1/8 | 3.18 | 3.1 | 1.4 |
| 870542101 | CAPE | 2 1/8 | 53.98 | 3 1/8 | 79.38 | 8 1/2 | 215.90 | 1/8 | 3.18 | 4.1 | 1.9 |
| 870572100 | CARE | 2 1/4 | 57.15 | 2 15/16 | 74.61 | 9 | 228.60 | 3/32 | 2.38 | 3.1 | 1.4 |
| 870572133 | CARD | 2 1/4 | 57.15 | 3 | 76.20 | 9 | 228.60 | 1/8 | 3.18 | 3.9 | 1.8 |
| 870572101 | CART | 2 1/4 | 57.15 | 3 1/8 | 79.38 | 9 | 228.60 | 1/8 | 3.18 | 4.3 | 2.0 |
| 870572102 | CASE | 2 1/4 | 57.15 | 3 3/8 | 85.73 | 9 | 228.60 | 1/8 | 3.18 | 5.1 | 2.3 |
| 870602100 | COOK | 2 3/8 | 60.33 | 3 3/8 | 85.73 | 9 1/2 | 241.30 | 1/8 | 3.18 | 4.8 | 2.2 |
| 870642100 | CORD | 2 1/2 | 63.50 | 3 1/8 | 79.38 | 10 | 254.00 | 1/8 | 3.18 | 4.5 | 2.0 |
| 870642174 | CORK | 2 1/2 | 63.50 | 3 1/4 | 82.55 | 10 | 254.00 | 1/16 | 1.59 | 3.1 | 1.4 |
| 870642101 | CORN | 2 1/2 | 63.50 | 3 3/8 | 85.73 | 10 | 254.00 | 1/8 | 3.18 | 5.1 | 2.3 |
| 870642134 | COVE | 2 1/2 | 63.50 | 3 1/2 | 88.90 | 10 | 254.00 | 5/32 | 3.97 | 6.6 | 3.0 |
| 870672100 | CRAB | 2 5/8 | 66.68 | 3 3/8 | 85.73 | 10 1/2 | 266.70 | 1/8 | 3.18 | 5.2 | 2.4 |
| 870702100 | CROW | 2 3/4 | 69.85 | 3 3/8 | 85.73 | 11 | 279.40 | 1/8 | 3.18 | 4.8 | 2.2 |
| 870702139 | CUBE | 2 3/4 | 69.85 | 3 1/2 | 88.90 | 11 | 279.40 | 5/32 | 3.97 | 6.6 | 3.0 |
| 870702101 | CURD | 2 3/4 | 69.85 | 3 3/4 | 95.25 | 11 | 279.40 | 1/8 | 3.18 | 6.6 | 3.0 |
| 870732100 | CURE | 2 7/8 | 73.03 | 3 3/4 | 95.25 | 11 1/2 | 292.10 | 1/8 | 3.18 | 6.5 | 2.9 |
| 870762100 | DANE | 3 | 76.20 | 3 3/4 | 95.25 | 12 | 304.80 | 1/8 | 3.18 | 6.8 | 3.1 |
| 870762101 | DARE | 3 | 76.20 | 4 | 101.60 | 12 | 304.80 | 1/8 | 3.18 | 7.7 | 3.5 |
| 870802100 | DARK | 3 1/8 | 79.38 | 4 1/4 | 107.95 | 12 1/2 | 317.50 | 1/8 | 3.18 | 8.6 | 3.9 |
| 870832100 | DARN | 3 1/4 | 82.55 | 4 | 101.60 | 13 | 330.20 | 1/8 | 3.18 | 7.8 | 3.5 |
| 870832101 | DELL | 3 1/4 | 82.55 | 4 1/4 | 107.95 | 13 | 330.20 | 1/8 | 3.18 | 8.7 | 3.9 |
| 870862100 | DIKE | 3 3/8 | 85.73 | 4 1/2 | 114.30 | 13 1/2 | 342.90 | 1/8 | 3.18 | 10.2 | 4.6 |
| 870892100 | DINE | 3 1/2 | 88.90 | 4 1/4 | 107.95 | 14 | 355.60 | 1/8 | 3.18 | 8.9 | 4.0 |
| 870892101 | DOCK | 3 1/2 | 88.90 | 4 1/2 | 114.30 | 14 | 355.60 | 1/8 | 3.18 | 10.3 | 4.7 |
| 870922100 | DOLE | 3 5/8 | 92.08 | 4 1/2 | 114.30 | 14 1/2 | 368.30 | 1/8 | 3.18 | 10.0 | 4.5 |
| 870952100 | DONE | 3 3/4 | 95.25 | 4 1/2 | 114.30 | 15 | 381.00 | 1/8 | 3.18 | 9.6 | 4.4 |
| 870952101 | DOVE | 3 3/4 | 95.25 | 5 | 127.00 | 15 | 381.00 | 3/16 | 4.76 | 16.5 | 7.5 |
| 870952102 | DRAW | 3 3/4 | 95.25 | 5 1/4 | 133.35 | 15 | 381.00 | 3/16 | 4.76 | 18.2 | 8.3 |
| 870992100 | DULL | 3 7/8 | 98.43 | 5 1/4 | 133.35 | 15 1/2 | 393.70 | 3/16 | 4.76 | 18.7 | 8.5 |
| 871022100 | EARN | 4 | 101.60 | 5 | 127.00 | 16 | 406.40 | 3/16 | 4.76 | 16.9 | 7.7 |
| 871022101 | EASE | 4 | 101.60 | 5 1/4 | 133.35 | 16 | 406.40 | 3/16 | 4.76 | 18.7 | 8.5 |
| 871052100 | ECHO | 4 1/8 | 104.78 | 5 1/4 | 133.35 | 16 1/2 | 419.10 | 3/16 | 4.76 | 19.0 | 8.6 |
| 871082100 | EDIT | 4 1/4 | 107.95 | 5 1/2 | 139.70 | 17 | 431.80 | 3/16 | 4.76 | 22.0 | 10.0 |
| 871112100 | ELSE | 4 3/8 | 111.13 | 5 3/4 | 146.05 | 17 1/2 | 444.50 | 3/16 | 4.76 | 23.7 | 10.8 |
| 871152100 | EPIC | 4 1/2 | 114.30 | 5 1/2 | 139.70 | 18 | 457.20 | 3/16 | 4.76 | 21.3 | 9.7 |
| 871152101 | EDGE | 4 1/2 | 114.30 | 5 3/4 | 146.05 | 18 | 457.20 | 3/16 | 4.76 | 23.7 | 10.8 |
| 871182100 | EVEN | 4 5/8 | 117.48 | 6 1/8 | 155.58 | 18 1/2 | 469.90 | 1/4 | 6.35 | 42.0 | 19.1 |
| 871212100 | EVER | 4 3/4 | 120.65 | 6 1/8 | 155.58 | 19 | 482.60 | 1/4 | 6.35 | 41.0 | 18.6 |
| 871242100 | EVIL | 4 7/8 | 123.83 | 6 1/8 | 155.58 | 19 1/2 | 495.30 | 1/4 | 6.35 | 41.7 | 18.9 |
| 871272100 | FACE | 5 | 127.00 | 6 1/8 | 155.58 | 20 | 508.00 | 1/4 | 6.35 | 42.3 | 19.2 |
| 871272101 | FACT | 5 | 127.00 | 6 1/2 | 165.10 | 20 | 508.00 | 1/4 | 6.35 | 48.7 | 22.1 |
| 871342100 | FADE | 5 1/4 | 133.35 | 6 3/4 | 171.45 | 21 | 533.40 | 1/4 | 6.35 | 50.3 | 22.8 |
| 871342101 | FARE | 5 1/4 | 133.35 | 7 | 177.80 | 21 | 533.40 | 1/4 | 6.35 | 55.0 | 24.9 |
| 871372100 | FEAR | 5 3/8 | 136.53 | 6 3/4 | 171.45 | 21 1/2 | 546.10 | 1/4 | 6.35 | 51.3 | 23.3 |
| 871372101 | FELT | 5 3/8 | 136.53 | 7 | 177.80 | 21 1/2 | 546.10 | 1/4 | 6.35 | 56.0 | 25.4 |
| 871402100 | FIND | 5 1/2 | 139.70 | 7 | 177.80 | 22 | 558.80 | 1/4 | 6.35 | 56.0 | 25.4 |
| 871402181 | FLAG | 5 1/2 | 139.70 | 7 1/4 | 184.15 | 22 | 558.80 | 3/8 | 9.53 | 58.2 | 26.4 |
| 871432100 | FLAT | 5 5/8 | 142.88 | 7 | 177.80 | 22 1/2 | 571.50 | 1/4 | 6.35 | 55.5 | 25.2 |
| 871462100 | FORK | 5 3/4 | 146.05 | 7 | 177.80 | 23 | 584.20 | 1/4 | 6.35 | 56.5 | 25.6 |
| 871502100 | FUEL | 5 7/8 | 149.23 | 7 1/2 | 190.50 | 24 | 609.60 | 1/4 | 6.35 | 65.8 | 29.8 |
| 871532100 | GALE | 6 | 152.40 | 7 1/2 | 190.50 | 24 | 609.60 | 1/4 | 6.35 | 66.0 | 29.9 |
| 871662100 | GOLD | 6 1/2 | 165.10 | 8 3/8 | 212.73 | 30 | 762.00 | 7/16 | 11.11 | 150.0 | 68.0 |

All Bearings Shown Are Carried in Stock

Naval Brass Sleeve Bearings

METRIC SIZE SERIES



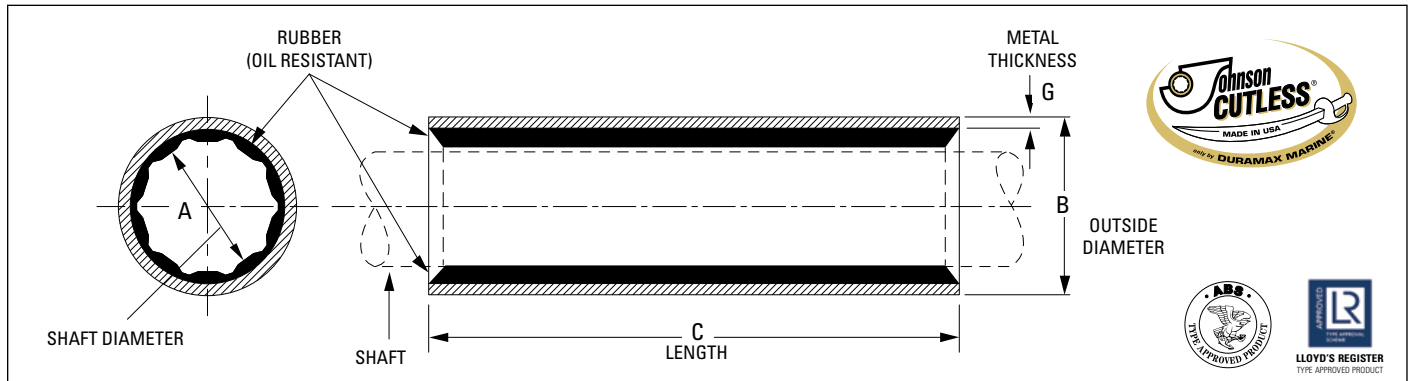
Johnson Cutless® Naval Brass Sleeve Bearings adapt equally well to strut and stern-tube mounts, and are often used effectively as rudder-stock and pintle bushings. Bearing diameters are precision fitted to the designated shaft size with the correct clearance for efficient water lubrication. External brass shells are machined and polished to provide easy fitting. Specially formulated oil and chemical resistant nitrile rubber is securely bonded to the shell. Units with thin shells are available for the struts of small craft. Sleeve Bearings are usually installed by light press-fitting and locked in place with cone-pointed set screws.

PRECAUTION:

When shrink fitting of the bearing is required, chilling must be achieved by gradual cooling to not more than minus 20°F(-28°C) using freezer or regular ice (**DO NOT DRY ICE**). NOTE: Pounding or shocking the bearing while in the chilled state could cause the rubber to separate from the shell.

Approved Bearings: Johnson Cutless® Naval Brass Sleeve Bearings meet military specification MIL-DTL-17901C (SH) Class II Full-Molded type and have full type approval from The American Bureau of Shipping.

NAVAL BRASS SLEEVE - METRIC



| Part Number | A Shaft Diameter mm | B Outside Diameter mm | C Length mm | G Metal Thickness mm | Gross Wt. | |
|-------------|---------------------------|-----------------------------|-------------------|----------------------------|-----------|------|
| | | | | | lb. | kg. |
| 870254100 | 25 | 40 | 100 | 2.54 | 0.8 | 0.4 |
| 870284100 | 28 | 42 | 112 | 2.35 | 0.7 | 0.3 |
| 870304100 | 30 | 45 | 120 | 3.07 | 1.2 | 0.5 |
| 870324100 | 32 | 45 | 128 | 3.07 | 1.3 | 0.6 |
| 870354100 | 35 | 50 | 140 | 3.07 | 1.5 | 0.7 |
| 870384100 | 38 | 55 | 152 | 3.07 | 1.7 | 0.8 |
| 870404100 | 40 | 55 | 160 | 3.07 | 1.8 | 0.8 |
| 870454100 | 45 | 65 | 180 | 3.30 | 2.8 | 1.3 |
| 870504100 | 50 | 70 | 200 | 3.26 | 3.1 | 1.4 |
| 870554100 | 55 | 75 | 220 | 2.58 | 3.8 | 1.7 |
| 870604100 | 60 | 80 | 240 | 3.26 | 4.5 | 2.0 |
| 870654100 | 65 | 85 | 260 | 2.82 | 4.8 | 2.2 |
| 870704100 | 70 | 90 | 280 | 4.76 | 5.8 | 2.6 |
| 870754100 | 75 | 95 | 300 | 3.05 | 6.7 | 3.0 |
| 870804100 | 80 | 100 | 320 | 3.17 | 7.7 | 3.5 |
| 870854100 | 85 | 105 | 340 | 3.19 | 8.7 | 3.9 |
| 870904100 | 90 | 110 | 360 | 4.78 | 12.5 | 5.7 |
| 870954100 | 95 | 115 | 380 | 4.51 | 13.3 | 6.0 |
| 871004100 | 100 | 125 | 400 | 3.77 | 14.3 | 6.5 |
| 871054100 | 105 | 130 | 420 | 4.52 | 17.6 | 8.0 |
| 871104100 | 110 | 135 | 440 | 4.51 | 19.0 | 8.6 |
| 871154100 | 115 | 145 | 460 | 4.25 | 25.3 | 11.0 |
| 871204100 | 120 | 155 | 480 | 6.06 | 31.6 | 14.0 |
| 871304100 | 130 | 170 | 520 | 5.63 | 49.0 | 22.0 |
| 871404100 | 140 | 180 | 560 | 7.45 | 56.0 | 25.0 |

Non-Metallic Sleeve Bearings

METRIC SIZE SERIES

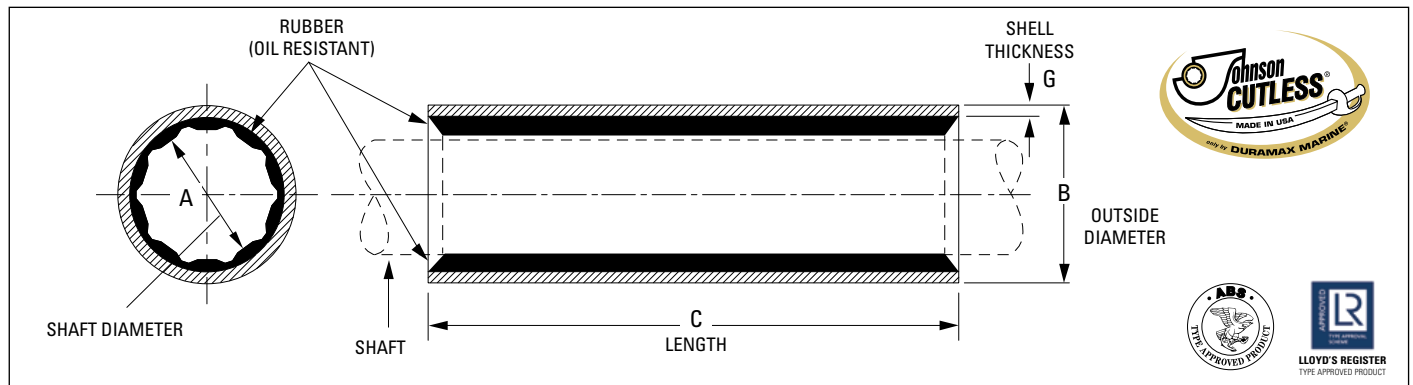


Johnson Cutless® Non-Metallic Sleeve Bearings feature a dense structure of engineered reinforced thermoset plastic. The specially compounded Nitrile Rubber is securely bonded to the shell with all tolerances maintained for proper lubrication. Being non-corrosive and inherently resistant to all known chemicals, oil and grease, as well as being anti-electrolytic, the Johnson Cutless® Non-Metallic Sleeve Bearings are ideally suited for installations wherever corrosion or electrolysis is a problem.

PRECAUTION:

When shrink fitting of the bearing is required, chilling must be achieved by gradual cooling to not more than minus 20°F (-28°C) using freezer or regular ice (**DO NOT DRY ICE**). NOTE: Pounding or shocking the bearing while in the chilled state could cause the rubber to separate from the shell.

Approved Bearings: Johnson Cutless Non-Metallic Sleeve Bearings have full type approval from The American Bureau of Shipping.



| Part Number | A Shaft Diameter mm | B Outside Diameter mm | C Length mm | G Shell Thickness mm | Gross Wt. | |
|-------------|---------------------------|-----------------------------|-------------------|----------------------------|-----------|-----|
| | | | | | lb. | kg. |
| 870255700 | 25 | 40 | 100 | 2.54 | 0.3 | 0.1 |
| 870285700 | 28 | 42 | 112 | 2.35 | 0.4 | 0.2 |
| 870305700 | 30 | 45 | 120 | 3.07 | 0.4 | 0.2 |
| 870325700 | 32 | 45 | 128 | 3.07 | 0.5 | 0.2 |
| 870355700 | 35 | 50 | 140 | 3.07 | 0.5 | 0.2 |
| 870385700 | 38 | 55 | 152 | 3.07 | 0.6 | 0.3 |
| 870405700 | 40 | 55 | 160 | 3.07 | 0.6 | 0.3 |
| 870455700 | 45 | 65 | 180 | 3.30 | 0.9 | 0.4 |
| 870505700 | 50 | 70 | 200 | 3.25 | 1.1 | 0.5 |
| 870555700 | 55 | 75 | 220 | 2.58 | 1.3 | 0.6 |
| 870605700 | 60 | 80 | 240 | 3.25 | 1.6 | 0.7 |
| 870655700 | 65 | 85 | 260 | 2.81 | 1.8 | 0.8 |
| 870705700 | 70 | 90 | 280 | 4.75 | 2.0 | 0.9 |
| 870755700 | 75 | 95 | 300 | 3.05 | 2.5 | 1.1 |
| 870805700 | 80 | 100 | 320 | 3.16 | 2.6 | 1.2 |
| 870855700 | 85 | 105 | 340 | 3.17 | 3.0 | 1.4 |
| 870905700 | 90 | 110 | 360 | 4.76 | 3.4 | 1.5 |
| 870955700 | 95 | 115 | 380 | 4.50 | 4.0 | 1.8 |
| 871005700 | 100 | 125 | 400 | 3.76 | 4.6 | 2.1 |
| 871055700 | 105 | 130 | 420 | 4.51 | 5.2 | 2.4 |
| 871105700 | 110 | 135 | 440 | 4.51 | 6.0 | 2.7 |
| 871155700 | 115 | 145 | 460 | 4.24 | 7.6 | 3.4 |
| 871205700 | 120 | 155 | 480 | 6.06 | 8.6 | 3.9 |
| 871305700 | 130 | 170 | 520 | 5.63 | 13.0 | 5.9 |

NON-METALLIC SLEEVE - METRIC

Non-Metallic Sleeve Bearings

INCH SIZE SERIES

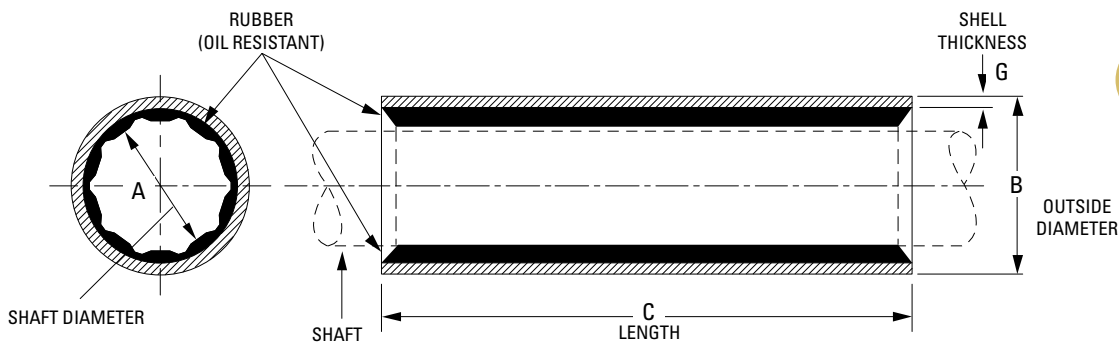


Johnson Cutless® Non-Metallic Sleeve Bearings feature a dense structure of engineered reinforced thermoset plastic. The specially compounded Nitrile Rubber is securely bonded to the shell with all tolerances maintained for proper lubrication. Being non-corrosive and inherently resistant to all known chemicals, oil and grease, as well as being anti-electrolytic, the Johnson Cutless® Non-Metallic Sleeve Bearings are ideally suited for installations wherever corrosion or electrolysis is a problem.

PRECAUTION:

When shrink fitting of the bearing is required, chilling must be achieved by gradual cooling to not more than minus 20°F(-28°C) using freezer or regular ice (**DO NOT DRY ICE**). NOTE: Pounding or shocking the bearing while in the chilled state could cause the rubber to separate from the shell.

Approved Bearings: Johnson Cutless Non-Metallic Sleeve Bearings have full type approval from The American Bureau of Shipping.



| Part Number | Code | A | | B | | C | | G | | Gross Wt. | |
|-------------|--------|--------------------------|-------|----------------------------|-------|------------------|--------|---------------------------|------|-----------|-----|
| | | Shaft Diameter inches | mm | Outside Diameter inches | mm | Length inches | mm | Shell Thickness inches | mm | lb. | kg. |
| 870193700 | ALDA | 3/4 | 19.05 | 1 1/4 | 31.75 | 3 | 76.20 | 1/8 | 3.18 | 0.2 | 0.1 |
| 870223700 | ALICE | 7/8 | 22.23 | 1 1/4 | 31.75 | 3 1/2 | 88.90 | 1/16 | 1.59 | 0.2 | 0.1 |
| 870223701 | ANNE | 7/8 | 22.23 | 1 3/8 | 34.93 | 3 1/2 | 88.90 | 1/8 | 3.18 | 0.2 | 0.1 |
| 870223702 | ARDELE | 7/8 | 22.23 | 1 1/2 | 38.10 | 3 1/2 | 88.90 | 1/8 | 3.18 | 0.3 | 0.1 |
| 870253700 | BABE | 1 | 25.40 | 1 1/4 | 31.75 | 4 | 101.60 | 1/16 | 1.59 | 0.2 | 0.1 |
| 870253701 | BECKY | 1 | 25.40 | 1 3/8 | 34.93 | 4 | 101.60 | 1/16 | 1.59 | 0.2 | 0.1 |
| 870253702 | BETTY | 1 | 25.40 | 1 1/2 | 38.10 | 4 | 101.60 | 1/8 | 3.18 | 0.3 | 0.1 |
| 870253703 | CANDY | 1 | 25.40 | 1 5/8 | 41.28 | 4 | 101.60 | 1/8 | 3.18 | 0.3 | 0.1 |
| 870253704 | CARLA | 1 | 25.40 | 2 | 50.80 | 4 | 101.60 | 1/8 | 3.18 | 0.5 | 0.2 |
| 870293700 | CEIL | 1 1/8 | 28.58 | 1 1/2 | 38.10 | 4 1/2 | 114.30 | 1/16 | 1.59 | 0.3 | 0.1 |
| 870293701 | CINDY | 1 1/8 | 28.58 | 1 5/8 | 41.28 | 4 1/2 | 114.30 | 1/8 | 3.18 | 0.3 | 0.1 |
| 870293702 | CONNIE | 1 1/8 | 28.58 | 1 3/4 | 44.45 | 4 1/2 | 114.30 | 1/8 | 3.18 | 0.4 | 0.2 |
| 870293703 | CORA | 1 1/8 | 28.58 | 2 | 50.80 | 4 1/2 | 114.30 | 1/16 | 1.59 | 0.5 | 0.2 |
| 870323700 | DEENA | 1 1/4 | 31.75 | 1 1/2 | 38.10 | 5 | 127.00 | 3/64 | 1.19 | 0.2 | 0.1 |
| 870323701 | DELLA | 1 1/4 | 31.75 | 1 3/4 | 44.45 | 5 | 127.00 | 1/8 | 3.18 | 0.4 | 0.2 |
| 870323702 | DORIS | 1 1/4 | 31.75 | 2 | 50.80 | 5 | 127.00 | 1/8 | 3.18 | 0.6 | 0.3 |
| 870323703 | DOTTY | 1 1/4 | 31.75 | 2 1/8 | 53.98 | 5 | 127.00 | 1/8 | 3.18 | 0.6 | 0.3 |
| 870353700 | EDNA | 1 3/8 | 34.93 | 1 7/8 | 47.63 | 5 1/2 | 139.70 | 1/8 | 3.18 | 0.4 | 0.2 |
| 870353701 | ELLEN | 1 3/8 | 34.93 | 2 | 50.80 | 5 1/2 | 139.70 | 1/8 | 3.18 | 0.5 | 0.2 |
| 870353702 | ELSA | 1 3/8 | 34.93 | 2 1/8 | 53.98 | 5 1/2 | 139.70 | 1/8 | 3.18 | 0.6 | 0.3 |
| 870353703 | ERMA | 1 3/8 | 34.93 | 2 3/8 | 60.33 | 5 1/2 | 139.70 | 1/8 | 3.18 | 0.9 | 0.4 |
| 870383700 | EVA | 1 1/2 | 38.10 | 2 | 50.80 | 6 | 152.40 | 1/8 | 3.18 | 0.5 | 0.2 |
| 870383701 | FANNY | 1 1/2 | 38.10 | 2 3/8 | 60.33 | 6 | 152.40 | 1/8 | 3.18 | 0.9 | 0.4 |
| 870413700 | FLO | 1 5/8 | 41.28 | 2 1/8 | 53.98 | 6 1/2 | 165.10 | 1/8 | 3.18 | 0.6 | 0.3 |
| 870413701 | FRAN | 1 5/8 | 41.28 | 2 5/8 | 66.68 | 6 1/2 | 165.10 | 1/8 | 3.18 | 1.1 | 0.5 |

All Bearings Shown Are Carried in Stock

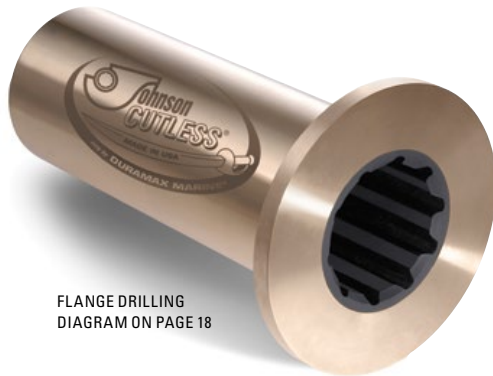
| Part Number | Code | A Shaft Diameter | | B Outside Diameter | | C Length | | G Shell Thickness | | Gross Wt. | |
|-------------|---------|---------------------|--------|-----------------------|--------|-------------|--------|----------------------|------|-----------|-----|
| | | inches | mm | inches | mm | inches | mm | inches | mm | lb. | kg. |
| 870453700 | GLENDA | 1 3/4 | 44.45 | 2 3/8 | 60.33 | 7 | 177.80 | 1/8 | 3.18 | 0.7 | 0.3 |
| 870453702 | GLENNIS | 1 3/4 | 44.45 | 2 1/2 | 63.50 | 7 | 177.80 | 3/32 | 2.38 | 0.8 | 0.4 |
| 870453701 | GLORIA | 1 3/4 | 44.45 | 2 5/8 | 66.68 | 7 | 177.80 | 1/8 | 3.18 | 0.9 | 0.4 |
| 870483700 | GWEN | 1 7/8 | 47.63 | 2 5/8 | 66.68 | 7 1/2 | 190.50 | 1/8 | 3.18 | 0.8 | 0.4 |
| 870483701 | HANNA | 1 7/8 | 47.63 | 2 15/16 | 74.61 | 7 1/2 | 190.50 | 3/32 | 2.38 | 1.5 | 0.7 |
| 870513700 | HAZEL | 2 | 50.80 | 2 5/8 | 66.68 | 8 | 203.20 | 1/8 | 3.18 | 0.8 | 0.4 |
| 870513701 | HELEN | 2 | 50.80 | 3 | 76.20 | 8 | 203.20 | 1/8 | 3.18 | 1.5 | 0.7 |
| 870543700 | HILDA | 2 1/8 | 53.98 | 2 15/16 | 74.61 | 8 1/2 | 215.90 | 1/8 | 3.18 | 1.3 | 0.6 |
| 870543701 | ILA | 2 1/8 | 53.98 | 3 1/8 | 79.38 | 8 1/2 | 215.90 | 1/8 | 3.18 | 1.6 | 0.7 |
| 870573700 | INEZ | 2 1/4 | 57.15 | 2 15/16 | 74.61 | 9 | 228.60 | 3/32 | 2.38 | 1.2 | 0.5 |
| 870573701 | INGRID | 2 1/4 | 57.15 | 3 1/8 | 79.38 | 9 | 228.60 | 1/8 | 3.18 | 1.4 | 0.6 |
| 870573702 | IRENE | 2 1/4 | 57.15 | 3 3/8 | 85.73 | 9 | 228.60 | 1/8 | 3.18 | 1.6 | 0.7 |
| 870573735 | IRIS | 2 1/4 | 57.15 | 3 | 76.20 | 9 | 228.60 | 1/8 | 3.18 | 3.9 | 1.8 |
| 870603700 | JENNY | 2 3/8 | 60.33 | 3 3/8 | 85.73 | 9 1/2 | 241.30 | 1/8 | 3.18 | 1.7 | 0.8 |
| 870643700 | JOAN | 2 1/2 | 63.50 | 3 1/8 | 79.38 | 10 | 254.00 | 1/8 | 3.18 | 1.4 | 0.6 |
| 870643701 | JOSIE | 2 1/2 | 63.50 | 3 3/8 | 85.73 | 10 | 254.00 | 1/8 | 3.18 | 2.0 | 0.9 |
| 870673700 | JOYCE | 2 5/8 | 66.68 | 3 3/8 | 85.73 | 10 1/2 | 266.70 | 1/8 | 3.18 | 1.8 | 0.8 |
| 870703700 | JUNE | 2 3/4 | 69.85 | 3 3/8 | 85.73 | 11 | 279.40 | 1/8 | 3.18 | 1.6 | 0.7 |
| 870703701 | KATHY | 2 3/4 | 69.85 | 3 3/4 | 95.25 | 11 | 279.40 | 1/8 | 3.18 | 2.6 | 1.2 |
| 870733700 | KELLY | 2 7/8 | 73.03 | 3 3/4 | 95.25 | 11 1/2 | 292.10 | 1/8 | 3.18 | 2.5 | 1.1 |
| 870763700 | KIM | 3 | 76.20 | 3 3/4 | 95.25 | 12 | 304.80 | 1/8 | 3.18 | 2.4 | 1.1 |
| 870763701 | LAURA | 3 | 76.20 | 4 | 101.60 | 12 | 304.80 | 1/8 | 3.18 | 3.1 | 1.4 |
| 870803700 | LENA | 3 1/8 | 79.38 | 4 1/4 | 107.95 | 12 1/2 | 317.50 | 1/8 | 3.18 | 3.8 | 1.7 |
| 870833700 | LINDA | 3 1/4 | 82.55 | 4 | 101.60 | 13 | 330.20 | 1/8 | 3.18 | 2.7 | 1.2 |
| 870833701 | LISA | 3 1/4 | 82.55 | 4 1/4 | 107.95 | 13 | 330.20 | 1/8 | 3.18 | 3.5 | 1.6 |
| 870863700 | LOIS | 3 3/8 | 85.73 | 4 1/2 | 114.30 | 13 1/2 | 342.90 | 1/8 | 3.18 | 4.3 | 2.0 |
| 870893700 | MANDY | 3 1/2 | 88.90 | 4 1/4 | 107.95 | 14 | 355.60 | 1/8 | 3.18 | 3.1 | 1.4 |
| 870893701 | MARIE | 3 1/2 | 88.90 | 4 1/2 | 114.30 | 14 | 355.60 | 1/8 | 3.18 | 4.1 | 1.9 |
| 870923700 | MARTHA | 3 5/8 | 92.08 | 4 1/2 | 114.30 | 14 1/2 | 368.30 | 1/8 | 3.18 | 3.7 | 1.7 |
| 870953700 | MARY | 3 3/4 | 95.25 | 4 1/2 | 114.30 | 15 | 381.00 | 1/8 | 3.18 | 3.5 | 1.6 |
| 870953701 | NANCY | 3 3/4 | 95.25 | 5 | 127.00 | 15 | 381.00 | 3/16 | 4.76 | 5.9 | 2.7 |
| 870953702 | NEVA | 3 3/4 | 95.25 | 5 1/4 | 133.35 | 15 | 381.00 | 3/16 | 4.76 | 7.4 | 3.4 |
| 870993700 | NORA | 3 7/8 | 98.43 | 5 1/4 | 133.35 | 15 1/2 | 393.70 | 3/16 | 4.76 | 6.4 | 2.9 |
| 871023700 | OLGA | 4 | 101.60 | 5 | 127.00 | 16 | 406.40 | 3/16 | 4.76 | 5.3 | 2.4 |
| 871023701 | OLIVE | 4 | 101.60 | 5 1/4 | 133.35 | 16 | 406.40 | 3/16 | 4.76 | 6.4 | 2.9 |
| 871053700 | OPAL | 4 1/8 | 104.78 | 5 1/4 | 133.35 | 16 1/2 | 419.10 | 3/16 | 4.76 | 6.3 | 2.9 |
| 871083700 | PAM | 4 1/4 | 107.95 | 5 1/2 | 139.70 | 17 | 431.80 | 3/16 | 4.76 | 8.3 | 3.8 |
| 871113700 | PANSY | 4 3/8 | 111.13 | 5 3/4 | 146.05 | 17 1/2 | 444.50 | 3/16 | 4.76 | 8.8 | 4.0 |
| 871153700 | PAULA | 4 1/2 | 114.30 | 5 1/2 | 139.70 | 18 | 457.20 | 3/16 | 4.76 | 7.3 | 3.3 |
| 871153701 | PENNY | 4 1/2 | 114.30 | 5 3/4 | 146.05 | 18 | 457.20 | 3/16 | 4.76 | 8.8 | 4.0 |
| 871183700 | RHODA | 4 5/8 | 117.48 | 6 1/8 | 155.58 | 18 1/2 | 469.90 | 1/4 | 6.35 | 11.3 | 5.1 |
| 871213700 | RINA | 4 3/4 | 120.65 | 6 1/8 | 155.58 | 19 | 482.60 | 1/4 | 6.35 | 11.0 | 5.0 |
| 871243700 | ROSE | 4 7/8 | 123.83 | 6 1/8 | 155.58 | 19 1/2 | 495.30 | 1/4 | 6.35 | 10.3 | 4.7 |
| 871273700 | RUTH | 5 | 127.00 | 6 1/8 | 155.58 | 20 | 508.00 | 1/4 | 6.35 | 9.5 | 4.3 |
| 871273701 | SALLY | 5 | 127.00 | 6 1/2 | 165.10 | 20 | 508.00 | 1/4 | 6.35 | 13.0 | 5.9 |
| 871343700 | SANDRA | 5 1/4 | 133.35 | 6 3/4 | 171.45 | 21 | 533.40 | 1/4 | 6.35 | 14.0 | 6.4 |
| 871343701 | SARAN | 5 1/4 | 133.35 | 7 | 177.80 | 21 | 533.40 | 1/4 | 6.35 | 16.0 | 7.3 |
| 871373700 | SUSAN | 5 3/8 | 136.53 | 6 3/4 | 171.45 | 21 1/2 | 546.10 | 1/4 | 6.35 | 12.8 | 5.8 |
| 871373701 | TONI | 5 3/8 | 136.53 | 7 | 177.80 | 21 1/2 | 546.10 | 1/4 | 6.35 | 15.8 | 7.2 |
| 871403700 | TRICIA | 5 1/2 | 139.70 | 7 | 177.80 | 22 | 558.80 | 1/4 | 6.35 | 14.8 | 6.7 |
| 871433700 | VERA | 5 5/8 | 142.88 | 7 | 177.80 | 22 1/2 | 571.50 | 1/4 | 6.35 | 14.0 | 6.4 |
| 871463700 | WANDA | 5 3/4 | 146.05 | 7 | 177.80 | 23 | 584.20 | 1/4 | 6.35 | 14.8 | 6.7 |
| 871503700 | WINNIE | 5 7/8 | 149.23 | 7 1/2 | 190.50 | 24 | 609.60 | 1/4 | 6.35 | 18.0 | 8.2 |
| 871533700 | ZELDA | 6 | 152.40 | 7 1/2 | 190.50 | 24 | 609.60 | 1/4 | 6.35 | 18.8 | 8.5 |

NON-METALLIC SLEEVE - INCH

All Bearings Shown Are Carried in Stock

Solid Naval Brass Flanged Bearings

STRUT OR AFT STERN TUBE



FLANGE DRILLING
DIAGRAM ON PAGE 18

Johnson Cutless® Flanged Bearings are centrifugally cast naval brass with an integral flange for bolting to stern tube or strut housing to retain bearing and prevent rotation in housing. Specially formulated oil and chemical resistant nitrile rubber is securely bonded to the shell. Shells are heavy walled providing structural strength and can be step turned if desired. Flanges are furnished UN-DRILLED unless specified. See page 18 for Drilling Diagrams. For Split and Stepped Styles see pages 14-17.

PRECAUTION:

When shrink fitting of the bearing is required, chilling must be achieved by gradual cooling to not more than minus 20°F(-28°C) using freezer or regular ice (DO NOT DRY ICE). NOTE: Pounding or shocking the bearing while in the chilled state could cause the rubber to separate from the shell.

Approved Bearings: Johnson Cutless® Naval Brass Flanged Bearings meet military specification MIL-DTL-17901C (SH) Class II Full-Molded type and have full type approval from The American Bureau of Shipping.

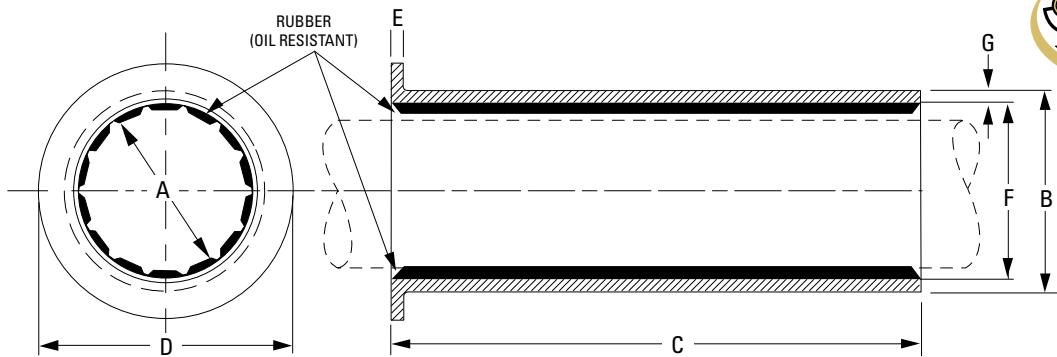
| Part No. | Code | A Shaft Diameter | | B Outside Diameter | | C Length | | D Flange Diameter | | E Flange Thickness | | F Metal I.D. | | G Metal Thickness | | Gross Wt. | |
|-----------|-------|------------------|--------|--------------------|--------|----------|--------|-------------------|--------|--------------------|-------|--------------|--------|-------------------|-------|-----------|-------|
| | | inch | mm | inch | mm | inch | mm | inch | mm | inch | mm | inch | mm | inch | mm | lbs. | kg. |
| 860512102 | BRACE | 2 | 50.80 | 3 | 76.20 | 8 | 203.20 | 5 | 127.00 | 3/8 | 9.53 | 25/8 | 66.68 | 3/16 | 4.76 | 7 | 3.2 |
| 860642100 | BROAD | 2 1/2 | 63.50 | 3 3/8 | 85.73 | 10 | 254.00 | 5 1/2 | 139.70 | 3/8 | 9.53 | 3 1/8 | 79.38 | 1/8 | 3.18 | 9 | 4.1 |
| 860762100 | CATCH | 3 | 76.20 | 4 1/4 | 107.95 | 12 | 304.80 | 6 3/4 | 171.45 | 1/2 | 12.70 | 3 3/4 | 95.25 | 1/4 | 6.35 | 20 | 9.1 |
| 860832100 | CLAMP | 3 1/4 | 82.55 | 4 1/2 | 114.30 | 13 | 330.20 | 7 | 177.80 | 1/2 | 12.70 | 4 | 101.60 | 1/4 | 6.35 | 22 | 10.0 |
| 860892100 | CRANK | 3 1/2 | 88.90 | 4 3/4 | 120.65 | 12 1/2 | 317.50 | 6 3/4 | 171.45 | 1/2 | 12.70 | 4 1/4 | 107.95 | 1/4 | 6.35 | 21 | 9.5 |
| 860892101 | CLEAR | 3 1/2 | 88.90 | 4 7/8 | 123.83 | 14 | 355.60 | 7 3/8 | 187.33 | 1/2 | 12.70 | 4 1/4 | 107.95 | 5/16 | 7.94 | 29 | 13.2 |
| 860952100 | CIVIL | 3 3/4 | 95.25 | 5 1/4 | 133.35 | 15 | 381.00 | 7 3/4 | 196.85 | 1/2 | 12.70 | 4 5/8 | 117.48 | 5/16 | 7.94 | 32 | 14.5 |
| 861022100 | DRAFT | 4 | 101.60 | 5 1/2 | 139.70 | 16 | 406.40 | 8 | 203.20 | 1/2 | 12.70 | 4 7/8 | 123.83 | 5/16 | 7.94 | 36 | 16.3 |
| 861082100 | DREAD | 4 1/4 | 107.95 | 5 3/4 | 146.05 | 17 | 431.80 | 8 1/4 | 209.55 | 1/2 | 12.70 | 5 1/8 | 130.18 | 5/16 | 7.94 | 48 | 21.8 |
| 861112100 | DANCE | 4 3/8 | 111.13 | 6 | 152.40 | 22 | 558.80 | 8 7/8 | 225.43 | 1/2 | 12.70 | 5 3/8 | 136.53 | 5/16 | 7.94 | 64 | 29.0 |
| 861152100 | DRINK | 4 1/2 | 114.30 | 6 | 152.40 | 18 | 457.20 | 8 7/8 | 225.43 | 1/2 | 12.70 | 5 3/8 | 136.53 | 5/16 | 7.94 | 56 | 25.4 |
| 861212100 | DROVE | 4 3/4 | 120.65 | 6 1/4 | 158.75 | 19 | 482.60 | 9 1/8 | 231.78 | 1/2 | 12.70 | 5 5/8 | 142.88 | 5/16 | 7.94 | 62 | 28.1 |
| 861272100 | EARTH | 5 | 127.00 | 6 3/4 | 171.45 | 20 | 508.00 | 9 5/8 | 244.48 | 9/16 | 14.29 | 6 | 152.40 | 3/8 | 9.53 | 76 | 34.5 |
| 861342100 | EASEL | 5 1/4 | 133.35 | 6 7/8 | 174.63 | 21 | 533.40 | 9 7/8 | 250.83 | 9/16 | 14.29 | 6 1/8 | 155.58 | 3/8 | 9.53 | 81 | 36.7 |
| 861402100 | ERASE | 5 1/2 | 139.70 | 7 1/4 | 184.15 | 22 | 558.80 | 10 1/4 | 260.35 | 9/16 | 14.29 | 6 1/2 | 165.10 | 3/8 | 9.53 | 86 | 39.0 |
| 861462100 | EVENT | 5 3/4 | 146.05 | 7 1/4 | 184.15 | 23 | 584.20 | 10 1/4 | 260.35 | 9/16 | 14.29 | 6 1/2 | 165.10 | 3/8 | 9.53 | 88 | 39.9 |
| 861532100 | FABLE | 6 | 152.40 | 7 3/4 | 196.85 | 15 | 381.00 | 12 1/4 | 311.15 | 9/16 | 14.29 | 6 1/2 | 165.10 | 3/8 | 9.53 | 75 | 34.0 |
| 861532101 | FAULT | 6 | 152.40 | 7 3/4 | 196.85 | 24 | 609.60 | 11 | 279.40 | 9/16 | 14.29 | 7 | 177.80 | 3/8 | 9.53 | 101 | 45.8 |
| 861592100 | FENCE | 6 1/8 | 155.58 | 7 7/8 | 200.03 | 22 | 558.80 | 10 1/2 | 266.70 | 9/16 | 14.29 | 7 | 177.80 | 3/8 | 9.53 | — | — |
| 861592100 | --- | 6 1/4 | 158.75 | 8 | 203.20 | 22 1/2 | 571.50 | 10 5/8 | 269.88 | 9/16 | 14.29 | 7 1/8 | 180.98 | 3/8 | 9.53 | 97 | 44.0 |
| 861592100 | --- | 6 3/8 | 161.93 | 8 1/8 | 206.38 | 23 | 584.20 | 10 3/4 | 273.05 | 9/16 | 14.29 | 7 1/4 | 184.15 | 3/8 | 9.53 | — | — |
| 861662100 | FLARE | 6 1/2 | 165.10 | 8 3/8 | 212.73 | 23 1/2 | 596.90 | 11 | 279.40 | 9/16 | 14.29 | 7 3/8 | 187.33 | 7/16 | 11.11 | 113 | 51.3 |
| 861662101 | FLEET | 6 1/2 | 165.10 | 8 3/8 | 212.73 | 30 | 762.00 | 11 | 279.40 | 5/8 | 15.88 | 7 1/2 | 190.50 | 7/16 | 11.11 | 141 | 64.0 |
| 861692100 | FLUTE | 6 5/8 | 168.28 | 8 1/2 | 215.90 | 15 | 381.00 | 13 1/2 | 342.90 | 5/8 | 15.88 | 7 1/2 | 190.50 | 7/16 | 11.11 | 100 | 45.4 |
| 861692101 | FLOOR | 6 5/8 | 168.28 | 8 1/2 | 215.90 | 24 | 609.60 | 11 1/4 | 285.75 | 9/16 | 14.29 | 7 5/8 | 193.68 | 7/16 | 11.11 | 133 | 60.3 |
| 861692103 | FRANK | 6 5/8 | 168.28 | 8 5/8 | 219.08 | 24 | 609.60 | 11 1/4 | 285.75 | 9/16 | 14.29 | 7 5/8 | 193.68 | 3/8 | 9.53 | 130 | 59.0 |
| 861722100 | FROZE | 6 3/4 | 171.45 | 8 3/4 | 222.25 | 24 | 609.60 | 11 1/4 | 285.75 | 5/8 | 15.88 | 7 7/8 | 200.03 | 7/16 | 11.11 | 127 | 57.6 |
| 861722101 | FANCY | 6 3/4 | 171.45 | 8 3/4 | 222.25 | 24 1/2 | 622.30 | 11 3/8 | 288.93 | 9/16 | 14.29 | 7 7/8 | 200.03 | 7/16 | 11.11 | 135 | 61.2 |
| 861752100 | FOUND | 6 7/8 | 174.63 | 8 7/8 | 225.43 | 24 1/2 | 622.30 | 11 3/8 | 288.93 | 9/16 | 14.29 | 7 7/8 | 200.03 | 1/2 | 12.70 | 134 | 60.8 |
| 861752101 | --- | 6 7/8 | 174.63 | 8 7/8 | 225.43 | 25 | 635.00 | 11 1/2 | 292.10 | 9/16 | 14.29 | 8 | 203.20 | 3/16 | 4.76 | — | — |
| 861782100 | GAVEL | 7 | 177.80 | 9 | 228.60 | 25 1/2 | 647.70 | 11 5/8 | 295.28 | 9/16 | 14.29 | 8 1/8 | 206.38 | 7/16 | 11.11 | 140 | 63.5 |
| 861782101 | GLAND | 7 | 177.80 | 9 1/8 | 231.78 | 25 1/2 | 647.70 | 11 5/8 | 295.28 | 9/16 | 14.29 | 8 1/8 | 206.38 | 1/2 | 12.70 | 154 | 69.9 |
| 861782101 | --- | 7 1/8 | 180.98 | 9 1/8 | 231.78 | 25 1/2 | 647.70 | 11 3/4 | 298.45 | 9/16 | 14.29 | 8 1/4 | 209.55 | 7/16 | 11.11 | — | — |
| 861852100 | GLASS | 7 1/4 | 184.15 | 9 1/4 | 234.95 | 26 1/2 | 673.10 | 11 7/8 | 301.63 | 9/16 | 14.29 | 8 3/8 | 212.73 | 7/16 | 11.11 | 150 | 68.0 |
| 861852100 | --- | 7 3/8 | 187.33 | 9 1/2 | 241.30 | 27 | 685.80 | 12 1/8 | 307.98 | 9/16 | 14.29 | 8 5/8 | 219.08 | 7/16 | 11.11 | — | — |
| 861912100 | GLORY | 7 1/2 | 190.50 | 9 5/8 | 244.48 | 17 1/2 | 444.50 | 14 1/2 | 368.30 | 1 | 25.40 | 8 3/4 | 222.25 | 7/16 | 11.11 | 129 | 58.5 |
| 861912101 | GLOBE | 7 1/2 | 190.50 | 9 5/8 | 244.48 | 27 1/2 | 698.50 | 12 3/4 | 323.85 | 9/16 | 14.29 | 8 3/4 | 222.25 | 7/16 | 11.11 | 160 | 72.6 |
| 861912101 | --- | 7 5/8 | 193.68 | 9 3/4 | 247.65 | 28 | 711.20 | 12 3/8 | 314.33 | 9/16 | 14.29 | 8 3/4 | 222.25 | 1/2 | 12.70 | — | — |
| 861972100 | GIPSY | 7 3/4 | 196.85 | 9 7/8 | 250.83 | 28 1/2 | 723.90 | 12 1/2 | 317.50 | 9/16 | 14.29 | 8 7/8 | 225.43 | 1/2 | 12.70 | 180 | 81.6 |
| 861972100 | --- | 7 7/8 | 200.03 | 10 | 254.00 | 29 1/2 | 749.30 | 12 5/8 | 320.68 | 9/16 | 14.29 | 9 1/8 | 231.78 | 7/16 | 11.11 | — | — |
| 862042101 | HEART | 8 | 203.20 | 10 1/4 | 260.35 | 29 1/2 | 749.30 | 13 1/4 | 336.55 | 5/8 | 15.88 | 9 1/2 | 241.30 | 3/8 | 9.53 | 166 | 75.3 |
| 862042102 | HEDGE | 8 | 203.20 | 10 1/2 | 266.70 | 29 1/2 | 749.30 | 13 1/4 | 336.55 | 5/8 | 15.88 | 9 1/2 | 241.30 | 1/2 | 12.70 | 210 | 95.3 |
| 862102100 | --- | 8 1/8 | 206.38 | 10 3/8 | 263.53 | 30 | 762.00 | 13 3/8 | 339.73 | 5/8 | 15.88 | 9 3/8 | 238.13 | 1/2 | 12.70 | — | — |
| 862102100 | HITCH | 8 1/4 | 209.55 | 10 1/2 | 266.70 | 30 1/2 | 774.70 | 13 1/2 | 342.90 | 5/8 | 15.88 | 9 1/2 | 241.30 | 1/2 | 12.70 | 208 | 94.3 |
| 862102100 | --- | 8 3/8 | 212.73 | 10 5/8 | 269.88 | 31 | 787.40 | 13 5/8 | 346.08 | 5/8 | 15.88 | 9 5/8 | 244.48 | 1/2 | 12.70 | — | — |
| 862172100 | HOIST | 8 1/2 | 215.90 | 10 3/4 | 273.05 | 31 1/2 | 800.10 | 13 3/4 | 349.25 | 5/8 | 15.88 | 9 3/4 | 247.65 | 1/2 | 12.70 | 215 | 97.5 |
| 862172100 | --- | 8 5/8 | 219.08 | 10 7/8 | 276.23 | 32 | 812.80 | 13 7/8 | 352.43 | 5/8 | 15.88 | 9 7/8 | 250.83 | 1 | 25.40 | — | — |
| 862232100 | HOVER | 8 3/4 | 222.25 | 11 | 279.40 | 32 1/2 | 825.50 | 14 | 355.60 | 5/8 | 15.88 | 10 | 254.00 | 1/2 | 12.70 | 233 | 105.7 |
| 862292100 | --- | 8 7/8 | 225.43 | 11 1/8 | 282.58 | 33 | 838.20 | 14 1/8 | 358.78 | 3/4 | 19.05 | 10 1/8 | 257.18 | 1/2 | 12.70 | — | — |
| 862292100 | INFRA | 9 | 228.60 | 11 1/4 | 285.75 | 33 1/2 | 850.90 | 14 1/4 | 361.95 | 3/4 | 19.05 | 10 1/4 | 260.35 | 1/2 | 12.70 | 254 | 115.2 |
| 862292101 | IDEAL | 9 | 228.60 | 11 1/2 | 292.10 | 33 3/8 | 847.73 | 15 | 381.00 | 3/4 | 19.05 | 10 1/4 | 260.35 | 5/8 | 15.88 | 301 | 136.5 |

NOTE: Dimensions for each size bearing continue across both pages.



LLOYD'S REGISTER
TYPE APPROVED PRODUCT

A = SHAFT DIAMETER
B = OUTSIDE DIAMETER
C = LENGTH
D = FLANGE DIAMETER
E = FLANGE THICKNESS
F = METAL I.D.
G = METAL THICKNESS



| Part No. | Code | A Shaft Diameter | | B Outside Diameter | | C Length | | D Flange Diameter | | E Flange Thickness | | F Metal I.D. | | G Metal Thickness | | Gross Wt. | |
|-----------|-------|------------------|--------|--------------------|--------|----------|---------|-------------------|--------|--------------------|-------|--------------|--------|-------------------|-------|-----------|-------|
| | | inch | mm | inch | mm | inch | mm | inch | mm | inch | mm | inch | mm | inch | mm | lbs. | kg. |
| 862332101 | | 9 1/8 | 231.78 | 11 3/8 | 288.93 | 34 | 863.60 | 14 1/2 | 368.30 | 3/4 | 19.05 | 10 3/8 | 263.53 | 1/2 | 12.70 | | |
| 862332100 | INNER | 9 1/8 | 231.78 | 11 1/2 | 292.10 | 34 1/2 | 876.30 | 16 3/8 | 415.93 | 5/8 | 15.88 | 10 3/8 | 263.53 | 9/16 | 14.29 | 284 | 128.8 |
| 862362100 | IRISH | 9 1/4 | 234.95 | 11 1/2 | 292.10 | 34 1/2 | 876.30 | 14 5/8 | 371.48 | 11/16 | 17.46 | 10 1/2 | 266.70 | 1/2 | 12.70 | 260 | 117.9 |
| 862392100 | | 9 3/8 | 238.13 | 11 5/8 | 295.28 | 35 | 889.00 | 14 3/4 | 374.65 | 3/4 | 19.05 | 10 5/8 | 269.88 | 1/2 | 12.70 | | |
| 862422100 | INSET | 9 1/2 | 241.30 | 11 3/4 | 298.45 | 35 1/2 | 901.70 | 14 7/8 | 377.83 | 3/4 | 19.05 | 10 3/4 | 273.05 | 1/2 | 12.70 | 274 | 124.3 |
| 862452100 | | 9 5/8 | 244.48 | 11 7/8 | 301.63 | 36 | 914.40 | 15 | 381.00 | 3/4 | 19.05 | 10 7/8 | 276.23 | 1/2 | 12.70 | | |
| 862482100 | IVORY | 9 3/4 | 247.65 | 12 1/8 | 307.98 | 36 1/2 | 927.10 | 15 1/4 | 387.35 | 3/4 | 19.05 | 11 | 279.40 | 9/16 | 14.29 | 307 | 139.3 |
| | | 9 7/8 | 250.83 | 12 1/4 | 311.15 | 37 | 939.80 | 15 3/8 | 390.53 | 3/4 | 19.05 | 11 1/8 | 282.58 | 9/16 | 14.29 | | |
| 862552100 | JEWEL | 10 | 254.00 | 12 3/8 | 314.33 | 37 1/2 | 952.50 | 15 1/2 | 393.70 | 3/4 | 19.05 | 11 1/4 | 285.75 | 9/16 | 14.29 | 333 | 151.1 |
| 862582100 | | 10 1/8 | 257.18 | 12 1/2 | 317.50 | 38 | 965.20 | 15 5/8 | 396.88 | 3/4 | 19.05 | 11 1/4 | 285.75 | 5/8 | 15.88 | | |
| 862612100 | JETTY | 10 1/4 | 260.35 | 12 5/8 | 320.68 | 38 1/2 | 977.90 | 15 7/8 | 403.23 | 3/4 | 19.05 | 11 1/2 | 292.10 | 9/16 | 14.29 | 352 | 159.7 |
| | | 10 3/8 | 263.53 | 12 3/4 | 323.85 | 39 | 990.60 | 16 | 406.40 | 3/4 | 19.05 | 11 5/8 | 295.28 | 9/16 | 14.29 | | |
| 862682100 | JUMBO | 10 1/2 | 266.70 | 12 7/8 | 327.03 | 39 1/2 | 1003.30 | 16 1/8 | 409.58 | 3/4 | 19.05 | 11 3/4 | 298.45 | 9/16 | 14.29 | 350 | 158.8 |
| | | 10 5/8 | 269.88 | 13 | 330.20 | 40 | 1016.00 | 16 1/4 | 412.75 | 3/4 | 19.05 | 11 7/8 | 301.63 | 9/16 | 14.29 | | |
| 862742100 | JUDGE | 10 3/4 | 273.05 | 13 1/8 | 333.38 | 40 1/2 | 1028.70 | 16 3/8 | 415.93 | 3/4 | 19.05 | 12 | 304.80 | 9/16 | 14.29 | 368 | 166.9 |
| | | 10 7/8 | 276.23 | 13 1/4 | 336.55 | 41 | 1041.40 | 17 | 431.80 | 3/4 | 19.05 | 12 1/8 | 307.98 | 9/16 | 14.29 | | |
| 862802100 | KNOCK | 11 | 279.40 | 13 1/2 | 342.90 | 41 1/2 | 1054.10 | 17 1/4 | 438.15 | 3/4 | 19.05 | 12 3/8 | 314.33 | 9/16 | 14.29 | 420 | 190.5 |
| | | 11 1/8 | 282.58 | 13 5/8 | 346.08 | 42 | 1066.80 | 17 3/8 | 441.33 | 3/4 | 19.05 | 12 1/2 | 317.50 | 9/16 | 14.29 | | |
| 862872100 | KRAFT | 11 1/4 | 285.75 | 13 3/4 | 349.25 | 42 1/2 | 1079.50 | 17 1/2 | 444.50 | 3/4 | 19.05 | 12 5/8 | 320.68 | 9/16 | 14.29 | 432 | 196.0 |
| | | 11 3/8 | 288.93 | 14 | 355.60 | 43 | 1092.20 | 17 3/4 | 450.85 | 3/4 | 19.05 | 12 3/4 | 323.85 | 5/8 | 15.88 | | |
| 862932101 | KNEEL | 11 1/2 | 292.10 | 14 1/8 | 358.78 | 43 1/2 | 1104.90 | 17 7/8 | 454.03 | 3/4 | 19.05 | 12 7/8 | 327.03 | 5/8 | 15.88 | 482 | 218.6 |
| 862932100 | KNIFE | 11 1/2 | 292.10 | 14 7/8 | 377.83 | 50 3/4 | 1289.05 | 20 1/4 | 514.35 | 1 1/4 | 31.75 | 12 7/8 | 327.03 | 1 | 25.40 | 860 | 390.1 |
| 862962100 | | 11 5/8 | 295.28 | 14 1/4 | 361.95 | 44 | 1117.60 | 18 | 457.20 | 3/4 | 19.05 | 13 | 330.20 | 5/8 | 15.88 | | |
| 862992100 | KNOTS | 11 3/4 | 298.45 | 14 3/8 | 365.13 | 44 1/2 | 1130.30 | 18 1/8 | 460.38 | 3/4 | 19.05 | 13 1/8 | 333.38 | 5/8 | 15.88 | 502 | 227.7 |
| | | 11 7/8 | 301.63 | 14 1/2 | 368.30 | 45 | 1143.00 | 18 1/4 | 463.55 | 3/4 | 19.05 | 13 1/4 | 336.55 | 5/8 | 15.88 | | |
| 863062100 | LABOR | 12 | 304.80 | 14 3/4 | 374.65 | 45 1/2 | 1155.70 | 18 1/2 | 469.90 | 3/4 | 19.05 | 13 1/2 | 342.90 | 5/8 | 15.88 | 516 | 234.1 |
| 863092100 | LOGAN | 12 1/8 | 307.98 | 14 7/8 | 377.83 | 46 | 1168.40 | 18 5/8 | 473.08 | 3/4 | 19.05 | 13 5/8 | 346.08 | 5/8 | 15.88 | | |
| 863122100 | LANCE | 12 1/4 | 311.15 | 15 | 381.00 | 46 1/2 | 1181.10 | 18 3/4 | 476.25 | 3/4 | 19.05 | 13 3/4 | 349.25 | 5/8 | 15.88 | 539 | 244.5 |
| | LEASE | 12 3/8 | 314.33 | 15 1/8 | 384.18 | 47 | 1193.80 | 18 7/8 | 479.43 | 3/4 | 19.05 | 13 7/8 | 352.43 | 5/8 | 15.88 | | |
| 863182100 | LAYER | 12 1/2 | 317.50 | 15 1/4 | 387.35 | 47 1/2 | 1206.50 | 19 | 482.60 | 3/4 | 19.05 | 14 | 355.60 | 5/8 | 15.88 | 554 | 251.3 |
| 863222100 | LOGIC | 12 5/8 | 320.68 | 15 3/8 | 390.53 | 48 | 1219.20 | 19 1/8 | 485.78 | 3/4 | 19.05 | 14 1/8 | 358.78 | 5/8 | 15.88 | 582 | 264.0 |
| 863252100 | MILKY | 12 3/4 | 323.85 | 15 1/2 | 393.70 | 48 1/2 | 1231.90 | 19 1/4 | 488.95 | 3/4 | 19.05 | 14 1/4 | 361.95 | 5/8 | 15.88 | | |
| 863282100 | MUSIC | 12 7/8 | 327.03 | 15 5/8 | 396.88 | 49 | 1244.60 | 19 3/8 | 492.13 | 3/4 | 19.05 | 14 3/8 | 365.13 | 5/8 | 15.88 | | |
| 863312100 | MINCE | 13 | 330.20 | 15 7/8 | 403.23 | 50 | 1270.00 | 19 5/8 | 498.48 | 7/8 | 22.23 | 14 1/2 | 368.30 | 11/16 | 17.46 | 674 | 305.7 |
| 863342100 | MITTY | 13 1/8 | 333.38 | 16 | 406.40 | 50 1/2 | 1282.70 | 19 3/4 | 501.65 | 7/8 | 22.23 | 14 1/2 | 368.30 | 3/4 | 19.05 | 710 | 322.1 |
| 863372100 | MISTY | 13 1/4 | 336.55 | 16 1/8 | 409.58 | 51 | 1295.40 | 19 7/8 | 504.83 | 7/8 | 22.23 | 14 1/2 | 368.30 | 13/16 | 20.64 | | |
| 863412100 | NIFTY | 13 3/8 | 339.73 | 16 1/4 | 412.75 | 51 1/2 | 1308.10 | 19 7/8 | 504.83 | 7/8 | 22.23 | 14 1/2 | 368.30 | 7/8 | 22.23 | 696 | 315.7 |
| 863442100 | NIECE | 13 1/2 | 342.90 | 16 3/8 | 415.93 | 52 | 1320.80 | 20 1/8 | 511.18 | 7/8 | 22.23 | 15 | 381.00 | 11/16 | 17.46 | 697 | 316.2 |
| 863472100 | NOVEL | 13 5/8 | 346.08 | 16 1/2 | 419.10 | 52 1/2 | 1333.50 | 20 1/4 | 514.35 | 7/8 | 22.23 | 15 1/8 | 384.18 | 11/16 | 17.46 | | |
| 863502100 | ORTHA | 13 3/4 | 349.25 | 16 5/8 | 422.28 | 53 | 1346.20 | 20 3/8 | 517.53 | 7/8 | 22.23 | 15 1/4 | 387.35 | 11/16 | 17.46 | | |
| | OGGLE | 13 7/8 | 352.43 | 16 3/4 | 425.45 | 53 1/2 | 1358.90 | 20 1/2 | 520.70 | 7/8 | 22.23 | 15 3/8 | 390.53 | 11/16 | 17.46 | | |
| 863572100 | OPERA | 14 | 355.60 | 16 7/8 | 428.63 | 54 | 1371.60 | 20 5/8 | 523.88 | 7/8 | 22.23 | 15 1/2 | 393.70 | 11/16 | 17.46 | 735 | 333.4 |
| | PURSE | 14 1/8 | 358.78 | 17 | 431.80 | 54 1/2 | 1384.30 | 20 3/4 | 527.05 | 7/8 | 22.23 | 15 5/8 | 396.88 | 11/16 | 17.46 | | |
| 863632100 | POLAR | 14 1/4 | 361.95 | 17 1/8 | 434.98 | 55 | 1397.00 | 20 7/8 | 530.23 | 7/8 | 22.23 | 15 3/4 | 400.05 | 11/16 | 17.46 | | |
| 863662100 | POINT | 14 3/8 | 365.13 | 17 1/4 | 438.15 | 55 1/2 | 1409.70 | 21 | 533.40 | 7/8 | 22.23 | 15 7/8 | 403.23 | 11/16 | 17.46 | 842 | 381.9 |
| 863692100 | PRUNE | 14 1/2 | 368.30 | 17 1/2 | 444.50 | 56 | 1422.40 | 21 1/4 | 539.75 | 7/8 | 22.23 | 16 | 406.40 | 3/4 | 19.05 | 852 | 386.5 |
| | PRICE | 14 5/8 | 371.48 | 17 5/8 | 447.68 | 56 1/2 | 1435.10 | 21 3/8 | 542.93 | 7/8 | 22.23 | 16 1/8 | 409.58 | 3/4 | 19.05 | | |
| | PUNCH | 14 3/4 | 374.65 | 17 3/4 | 450.85 | 57 | 1447.80 | 21 1/2 | 546.10 | 7/8 | 22.23 | 16 1/4 | 412.75 | 3/4 | 19.05 | | |
| | QUAKE | 14 7/8 | 377.83 | 17 7/8 | 454.03 | 57 1/2 | 1460.50 | 21 5/8 | 549.28 | 7/8 | 22.23 | 16 3/8 | 415.93 | 3/4 | 19.05 | | |
| 863822100 | QUIET | 15 | 381.00 | 18 | 457.20 | 58 | 1473.20 | 21 3/4 | 552.45 | 7/8 | 22.23 | 16 1/2 | 419.10 | 3/4 | 19.05 | 905 | 410.5 |

NOTE: Dimensions for each size bearing continue across both pages.

Split Naval Brass Flanged Bearings

SPLIT STRUT OR AFT STERN TUBE



FLANGE DRILLING DIAGRAM ON PAGE 18

Johnson Cutless® Flanged Bearings are centrifugally cast naval brass with an integral flange for bolting to stern tube or strut housing to retain bearing and prevent rotation in housing. Specially formulated oil and chemical resistant nitrile rubber is securely bonded to the shell.

Split styles offer ease of installation and change. Shells are heavy walled providing structural strength and can be step turned if desired. Flanges are furnished UN-DRILLED unless specified. See page 18 for Drilling Diagrams.

PRECAUTION:

When shrink fitting of the bearing is required, chilling must be achieved by gradual cooling to not more than minus 20°F(-28°C) using freezer or regular ice (DO NOT DRY ICE). NOTE: Pounding or shocking the bearing while in the chilled state could cause the rubber to separate from the shell.

Approved Bearings: Johnson Cutless® Naval Brass Flanged Bearings meet military specification MIL-DTL-17901C (SH) Class II Full-Molded type and have full type approval from The American Bureau of Shipping.

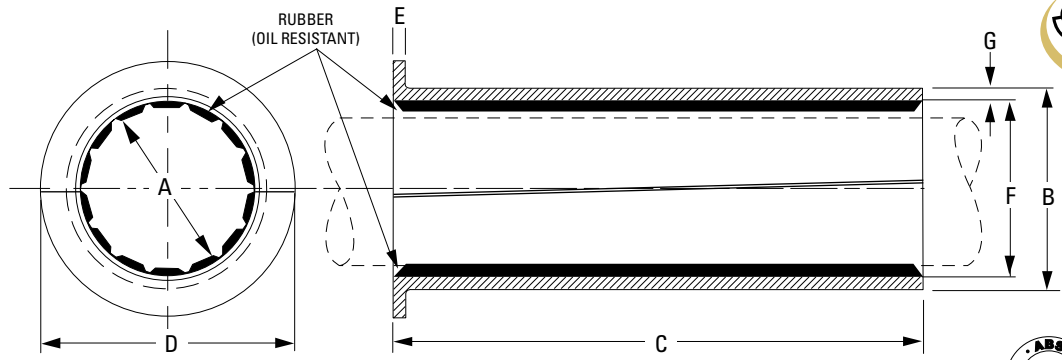
| Part No. | Code | A | | B | | C | | D | | E | | F | | G | |
|-----------|-------|----------------|--------|------------------|--------|--------|--------|-----------------|--------|------------------|-------|------------|--------|-----------------|-------|
| | | Shaft Diameter | | Outside Diameter | | Length | | Flange Diameter | | Flange Thickness | | Metal I.D. | | Metal Thickness | |
| | | inch | mm | inch | mm | inch | mm | inch | mm | inch | mm | inch | mm | inch | mm |
| 861532120 | FAITH | 6 | 152.40 | 8 1/2 | 215.90 | 20 | 508.00 | 11 5/8 | 295.28 | 5/8 | 15.88 | 7 | 177.80 | 3/4 | 19.05 |
| 861532121 | FARCE | 6 | 152.40 | 8 1/2 | 215.90 | 24 | 609.60 | 11 5/8 | 295.28 | 5/8 | 15.88 | 7 | 177.80 | 3/4 | 19.05 |
| 861532123 | FERRY | 6 | 152.40 | 8 3/4 | 222.25 | 24 | 609.60 | 11 5/8 | 295.28 | 5/8 | 15.88 | 7 | 177.80 | 7/8 | 22.23 |
| — | — | 6 | 152.40 | 7 7/8 | 200.03 | 21 1/2 | 546.10 | 10 3/8 | 263.53 | 9/16 | 14.29 | 7 | 177.80 | 7/16 | 11.11 |
| — | — | 6 1/8 | 155.58 | 8 | 203.20 | 22 | 558.80 | 10 1/2 | 266.70 | 9/16 | 14.29 | 7 1/8 | 180.98 | 7/16 | 11.11 |
| — | — | 6 1/4 | 158.75 | 8 1/8 | 206.38 | 22 1/2 | 571.50 | 10 5/8 | 269.88 | 9/16 | 14.29 | 7 1/4 | 184.15 | 7/16 | 11.11 |
| 861622120 | — | 6 3/8 | 161.93 | 8 1/4 | 209.55 | 23 | 584.20 | 10 3/4 | 273.05 | 9/16 | 14.29 | 7 3/8 | 187.33 | 7/16 | 11.11 |
| — | — | 6 1/2 | 165.10 | 8 3/8 | 212.73 | 23 1/2 | 596.90 | 11 | 279.40 | 9/16 | 14.29 | 7 1/2 | 190.50 | 7/16 | 11.11 |
| — | — | 6 5/8 | 168.28 | 8 5/8 | 219.08 | 24 | 609.60 | 11 1/4 | 285.75 | 9/16 | 14.29 | 7 5/8 | 193.68 | 1/2 | 12.70 |
| 861722120 | FORCE | 6 3/4 | 171.45 | 8 3/4 | 222.25 | 24 | 609.60 | 11 1/4 | 285.75 | 9/16 | 14.29 | 7 7/8 | 200.03 | 7/16 | 11.11 |
| 861722122 | FLASH | 6 3/4 | 171.45 | 8 7/8 | 225.43 | 24 1/2 | 622.30 | 11 3/8 | 288.93 | 9/16 | 14.29 | 7 7/8 | 200.03 | 1/2 | 12.70 |
| — | — | 7 | 177.80 | 9 1/8 | 231.78 | 25 1/2 | 647.70 | 11 5/8 | 295.28 | 9/16 | 14.29 | 8 1/8 | 206.38 | 1/2 | 12.70 |
| — | — | 7 1/8 | 180.98 | 9 1/4 | 234.95 | 25 1/2 | 647.70 | 11 3/4 | 298.45 | 9/16 | 14.29 | 8 1/4 | 209.55 | 1/2 | 12.70 |
| — | — | 7 1/4 | 184.15 | 9 3/8 | 238.13 | 26 1/2 | 673.10 | 11 7/8 | 301.63 | 9/16 | 14.29 | 8 3/8 | 212.73 | 1/2 | 12.70 |
| — | — | 7 3/8 | 187.33 | 9 5/8 | 244.48 | 27 | 685.80 | 12 1/8 | 307.98 | 9/16 | 14.29 | 8 5/8 | 219.08 | 1/2 | 12.70 |
| 861912120 | GRADE | 7 1/2 | 190.50 | 9 7/8 | 250.83 | 27 1/2 | 698.50 | 10 1/4 | 260.35 | 9/16 | 14.29 | 8 3/4 | 222.25 | 9/16 | 14.29 |
| 861912121 | GRAIN | 7 1/2 | 190.50 | 9 7/8 | 250.83 | 27 1/2 | 698.50 | 12 3/8 | 314.33 | 9/16 | 14.29 | 8 3/4 | 222.25 | 9/16 | 14.29 |
| 861912122 | — | 7 1/2 | 190.50 | 9 3/4 | 247.65 | 27 1/2 | 698.50 | 12 1/4 | 311.15 | 9/16 | 14.29 | 8 3/4 | 222.25 | 1/2 | 12.70 |
| — | — | 7 5/8 | 193.68 | 9 7/8 | 250.83 | 28 | 711.20 | 12 3/8 | 314.33 | 9/16 | 14.29 | 8 3/4 | 222.25 | 9/16 | 14.29 |
| — | — | 7 3/4 | 196.85 | 10 | 254.00 | 28 1/2 | 723.90 | 12 1/2 | 317.50 | 9/16 | 14.29 | 8 7/8 | 225.43 | 9/16 | 14.29 |
| — | — | 7 7/8 | 200.03 | 10 1/8 | 257.18 | 29 | 736.60 | 12 5/8 | 320.68 | 9/16 | 14.29 | 9 1/8 | 231.78 | 1/2 | 12.70 |
| 862042120 | — | 8 | 203.20 | 10 3/8 | 263.53 | 29 1/2 | 749.30 | 13 1/4 | 336.55 | 5/8 | 15.88 | 9 1/4 | 234.95 | 9/16 | 14.29 |
| — | — | 8 1/8 | 206.38 | 10 1/2 | 266.70 | 30 | 762.00 | 13 3/8 | 339.73 | 5/8 | 15.88 | 9 3/8 | 238.13 | 9/16 | 14.29 |
| — | — | 8 1/4 | 209.55 | 10 5/8 | 269.88 | 30 1/2 | 774.70 | 13 1/2 | 342.90 | 5/8 | 15.88 | 9 1/2 | 241.30 | 9/16 | 14.29 |
| — | — | 8 3/8 | 212.73 | 10 3/4 | 273.05 | 31 | 787.40 | 13 5/8 | 346.08 | 5/8 | 15.88 | 9 5/8 | 244.48 | 9/16 | 14.29 |
| — | — | 8 1/2 | 215.90 | 10 7/8 | 276.23 | 31 1/2 | 800.10 | 13 3/4 | 349.25 | 5/8 | 15.88 | 9 3/4 | 247.65 | 9/16 | 14.29 |
| — | — | 8 5/8 | 219.08 | 11 | 279.40 | 32 | 812.80 | 13 7/8 | 352.43 | 5/8 | 15.88 | 9 7/8 | 250.83 | 9/16 | 14.29 |
| — | — | 8 3/4 | 222.25 | 11 1/8 | 282.58 | 32 1/2 | 825.50 | 14 | 355.60 | 5/8 | 15.88 | 10 | 254.00 | 9/16 | 14.29 |
| — | — | 8 7/8 | 225.43 | 11 1/4 | 285.75 | 33 | 838.20 | 14 1/8 | 358.78 | 3/4 | 19.05 | 10 1/8 | 257.18 | 9/16 | 14.29 |
| 862292120 | — | 9 | 228.60 | 11 3/8 | 288.93 | 33 1/2 | 850.90 | 14 1/4 | 361.95 | 3/4 | 19.05 | 10 1/4 | 260.35 | 9/16 | 14.29 |
| 862332120 | — | 9 1/8 | 231.78 | 11 1/2 | 292.10 | 34 | 863.60 | 14 1/2 | 368.30 | 3/4 | 19.05 | 10 3/8 | 263.53 | 9/16 | 14.29 |
| — | — | 9 1/4 | 234.95 | 11 5/8 | 295.28 | 34 1/2 | 876.30 | 14 5/8 | 371.48 | 3/4 | 19.05 | 10 1/2 | 266.70 | 9/16 | 14.29 |
| — | — | 9 3/8 | 238.13 | 11 3/4 | 298.45 | 35 | 889.00 | 14 3/4 | 374.65 | 3/4 | 19.05 | 10 5/8 | 269.88 | 9/16 | 14.29 |
| 862422120 | INSUL | 9 1/2 | 241.30 | 11 7/8 | 301.63 | 20 3/4 | 527.05 | 14 3/4 | 374.65 | 1 | 25.40 | 10 3/4 | 273.05 | 9/16 | 14.29 |
| 862422121 | — | 9 1/2 | 241.30 | 11 7/8 | 301.63 | 35 1/2 | 901.70 | 14 7/8 | 377.83 | 3/4 | 19.05 | 10 3/4 | 273.05 | 9/16 | 14.29 |
| — | — | 9 5/8 | 244.48 | 12 | 304.80 | 36 | 914.40 | 15 | 381.00 | 3/4 | 19.05 | 10 7/8 | 276.23 | 9/16 | 14.29 |
| — | — | 9 3/4 | 247.65 | 12 1/4 | 311.15 | 36 1/2 | 927.10 | 15 1/4 | 387.35 | 3/4 | 19.05 | 11 | 279.40 | 5/8 | 15.88 |
| — | — | 9 7/8 | 250.83 | 12 3/8 | 314.33 | 37 | 939.80 | 15 3/8 | 390.53 | 3/4 | 19.05 | 11 1/8 | 282.58 | 5/8 | 15.88 |
| — | — | 10 | 254.00 | 12 1/2 | 317.50 | 37 1/2 | 952.50 | 15 1/2 | 393.70 | 3/4 | 19.05 | 11 1/4 | 285.75 | 11/16 | 17.46 |

NOTE: Dimensions for each size bearing continue across both pages.

NAVAL BRASS FLANGED



- A = SHAFT DIAMETER
- B = OUTSIDE DIAMETER
- C = LENGTH
- D = FLANGE DIAMETER
- E = FLANGE THICKNESS
- F = METAL I.D.
- G = METAL THICKNESS



To Facilitate Assembly and Removal of Bearing — Split on Taper as Follows:
 Split Above or Below Ctr. Line, At End: Bearing Length 1/16 Up to and including 36" long

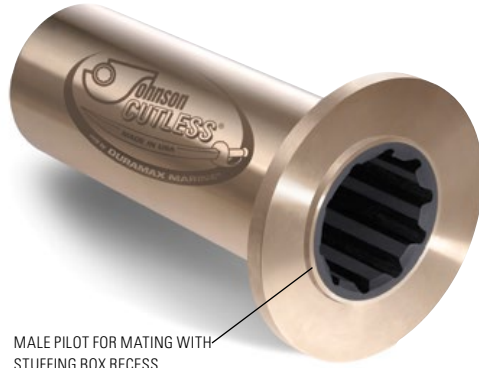


| Part No. | Code | A Shaft Diameter | | B Outside Diameter | | C Length | | D Flange Diameter | | E Flange Thickness | | F Metal I.D. | | G Metal Thickness | |
|-----------|------|------------------|--------|--------------------|--------|----------|----------|-------------------|--------|--------------------|-------|--------------|--------|-------------------|-------|
| | | inch | mm | inch | mm | inch | mm | inch | mm | inch | mm | inch | mm | inch | mm |
| 862582120 | — | 10 1/8 | 257.18 | 12 5/8 | 320.68 | 38 | 965.20 | 15 5/8 | 396.88 | 3/4 | 19.05 | 11 1/4 | 285.75 | 5/8 | 15.88 |
| 864612120 | — | 10 1/4 | 260.35 | 12 3/4 | 323.85 | 38 1/2 | 977.90 | 15 7/8 | 403.23 | 3/4 | 19.05 | 11 1/2 | 292.10 | 5/8 | 15.88 |
| — | — | 10 3/8 | 263.53 | 12 7/8 | 327.03 | 39 | 990.60 | 16 | 406.40 | 3/4 | 19.05 | 11 5/8 | 295.28 | 5/8 | 15.88 |
| — | — | 10 1/2 | 266.70 | 13 | 330.20 | 39 1/2 | 1,003.30 | 16 1/8 | 409.58 | 3/4 | 19.05 | 11 3/4 | 298.45 | 5/8 | 15.88 |
| — | — | 10 5/8 | 269.88 | 13 1/8 | 333.38 | 40 | 1,016.00 | 16 1/4 | 412.75 | 3/4 | 19.05 | 11 7/8 | 301.63 | 5/8 | 15.88 |
| — | — | 10 3/4 | 273.05 | 13 1/4 | 336.55 | 40 1/2 | 1,028.70 | 16 3/8 | 415.93 | 3/4 | 19.05 | 12 | 304.80 | 5/8 | 15.88 |
| — | — | 10 7/8 | 276.23 | 13 3/8 | 339.73 | 41 | 1,041.40 | 17 | 431.80 | 3/4 | 19.05 | 12 1/8 | 307.98 | 5/8 | 15.88 |
| — | — | 11 | 279.40 | 13 5/8 | 346.08 | 41 1/2 | 1,054.10 | 17 1/4 | 438.15 | 3/4 | 19.05 | 12 3/8 | 314.33 | 5/8 | 15.88 |
| — | — | 11 1/8 | 282.58 | 13 3/4 | 349.25 | 42 | 1,066.80 | 17 3/8 | 441.33 | 3/4 | 19.05 | 12 1/2 | 317.50 | 5/8 | 15.88 |
| — | — | 11 1/4 | 285.75 | 13 7/8 | 352.43 | 42 1/2 | 1,079.50 | 17 1/2 | 444.50 | 3/4 | 19.05 | 12 5/8 | 320.68 | 5/8 | 15.88 |
| — | — | 11 3/8 | 288.93 | 14 1/8 | 358.78 | 43 | 1,092.20 | 17 3/4 | 450.85 | 3/4 | 19.05 | 12 3/4 | 323.85 | 11/16 | 17.46 |
| — | — | 11 1/2 | 292.10 | 14 1/4 | 361.95 | 43 1/2 | 1,104.90 | 17 7/8 | 454.03 | 3/4 | 19.05 | 12 7/8 | 327.03 | 11/16 | 17.46 |
| — | — | 11 5/8 | 295.28 | 14 3/8 | 365.13 | 44 | 1,117.60 | 18 | 457.20 | 3/4 | 19.05 | 13 | 330.20 | 11/16 | 17.46 |
| — | — | 11 3/4 | 298.45 | 14 1/2 | 368.30 | 44 1/2 | 1,130.30 | 18 1/8 | 460.38 | 3/4 | 19.05 | 13 1/8 | 333.38 | 11/16 | 17.46 |
| — | — | 11 7/8 | 301.63 | 14 5/8 | 371.48 | 45 | 1,143.00 | 18 1/4 | 463.55 | 3/4 | 19.05 | 13 1/4 | 336.55 | 11/16 | 17.46 |
| — | — | 12 | 304.80 | 14 7/8 | 377.83 | 45 1/2 | 1,155.70 | 18 1/2 | 469.90 | 3/4 | 19.05 | 13 1/2 | 342.90 | 11/16 | 17.46 |
| — | — | 12 1/8 | 307.98 | 15 | 381.00 | 46 | 1,168.40 | 18 5/8 | 473.08 | 3/4 | 19.05 | 13 5/8 | 346.08 | 11/16 | 17.46 |
| — | — | 12 1/4 | 311.15 | 15 1/8 | 384.18 | 46 1/2 | 1,181.10 | 18 3/4 | 476.25 | 3/4 | 19.05 | 13 3/4 | 349.25 | 11/16 | 17.46 |
| — | — | 12 3/8 | 314.33 | 15 1/4 | 387.35 | 47 | 1,193.80 | 18 7/8 | 479.43 | 3/4 | 19.05 | 13 7/8 | 352.43 | 11/16 | 17.46 |
| 863182120 | — | 12 1/2 | 317.50 | 15 3/8 | 390.53 | 47 1/2 | 1,206.50 | 19 | 482.60 | 3/4 | 19.05 | 14 | 355.60 | 11/16 | 17.46 |
| — | — | 12 5/8 | 320.68 | 15 1/2 | 393.70 | 48 | 1,219.20 | 19 1/8 | 485.78 | 3/4 | 19.05 | 14 1/8 | 358.78 | 11/16 | 17.46 |
| — | — | 12 3/4 | 323.85 | 15 5/8 | 396.88 | 48 1/2 | 1,231.90 | 19 1/4 | 488.95 | 3/4 | 19.05 | 14 1/4 | 361.95 | 11/16 | 17.46 |
| — | — | 12 7/8 | 327.03 | 15 3/4 | 400.05 | 49 | 1,244.60 | 19 3/8 | 492.13 | 3/4 | 19.05 | 14 3/8 | 365.13 | 11/16 | 17.46 |
| 832212120 | — | 13 | 330.20 | 16 | 406.40 | 50 | 1,270.00 | 19 5/8 | 498.48 | 7/8 | 22.23 | 14 1/2 | 368.30 | 3/4 | 19.05 |
| — | — | 13 1/8 | 333.38 | 16 1/8 | 409.58 | 50 1/8 | 1,273.18 | 19 3/4 | 501.65 | 7/8 | 22.23 | 14 5/8 | 371.48 | 3/4 | 19.05 |
| — | — | 13 1/4 | 336.55 | 16 1/4 | 412.75 | 51 | 1,295.40 | 19 7/8 | 504.83 | 7/8 | 22.23 | 14 3/4 | 374.65 | 3/4 | 19.05 |
| — | — | 13 3/8 | 339.73 | 16 3/8 | 415.93 | 51 1/2 | 1,308.10 | 20 | 508.00 | 7/8 | 22.23 | 14 7/8 | 377.83 | 3/4 | 19.05 |
| — | — | 13 1/2 | 342.90 | 16 1/2 | 419.10 | 52 | 1,320.80 | 20 1/8 | 511.18 | 7/8 | 22.23 | 15 | 381.00 | 3/4 | 19.05 |
| — | — | 13 5/8 | 346.08 | 16 5/8 | 422.28 | 52 1/2 | 1,333.50 | 20 1/4 | 514.35 | 7/8 | 22.23 | 15 1/8 | 384.18 | 3/4 | 19.05 |
| — | — | 13 3/4 | 349.25 | 16 3/4 | 425.45 | 53 | 1,346.20 | 20 3/8 | 517.53 | 7/8 | 22.23 | 15 1/4 | 387.35 | 3/4 | 19.05 |
| — | — | 13 7/8 | 352.43 | 16 7/8 | 428.63 | 53 1/2 | 1,358.90 | 20 1/2 | 520.70 | 7/8 | 22.23 | 15 3/8 | 390.53 | 3/4 | 19.05 |
| — | — | 14 | 355.60 | 17 | 431.80 | 54 | 1,371.60 | 20 5/8 | 523.88 | 7/8 | 22.23 | 15 1/2 | 393.70 | 3/4 | 19.05 |
| — | — | 14 1/8 | 358.78 | 17 1/8 | 434.98 | 54 1/2 | 1,384.30 | 20 3/4 | 527.05 | 7/8 | 22.23 | 15 5/8 | 396.88 | 3/4 | 19.05 |
| — | — | 14 1/4 | 361.95 | 17 1/4 | 438.15 | 55 | 1,397.00 | 20 7/8 | 530.23 | 7/8 | 22.23 | 15 3/4 | 400.05 | 3/4 | 19.05 |
| — | — | 14 3/8 | 365.13 | 17 3/8 | 441.33 | 55 1/2 | 1,409.70 | 21 | 533.40 | 7/8 | 22.23 | 15 7/8 | 403.23 | 3/4 | 19.05 |
| — | — | 14 1/2 | 368.30 | 17 5/8 | 447.68 | 56 | 1,422.40 | 21 1/4 | 539.75 | 7/8 | 22.23 | 16 | 406.40 | 13/16 | 20.64 |
| — | — | 14 5/8 | 371.48 | 17 3/4 | 450.85 | 56 1/2 | 1,435.10 | 21 3/8 | 542.93 | 7/8 | 22.23 | 16 1/8 | 409.58 | 13/16 | 20.64 |
| — | — | 14 3/4 | 374.65 | 17 7/8 | 454.03 | 57 | 1,447.80 | 21 1/2 | 546.10 | 7/8 | 22.23 | 16 1/4 | 412.75 | 13/16 | 20.64 |
| — | — | 14 7/8 | 377.83 | 18 | 457.20 | 57 1/2 | 1,460.50 | 21 5/8 | 549.28 | 7/8 | 22.23 | 16 3/8 | 415.93 | 13/16 | 20.64 |
| — | — | 15 | 381.00 | 18 1/8 | 460.38 | 58 | 1,473.20 | 21 3/4 | 552.45 | 7/8 | 22.23 | 16 1/2 | 419.10 | 13/16 | 20.64 |

NAVAL BRASS FLANGED

Solid Naval Brass Flanged Bearings

FORWARD STERN TUBE



MALE PILOT FOR MATING WITH STUFFING BOX RECESS

Johnson Cutless Forward Stern Tube Flanged Bearings are made of centrifugally cast naval brass and feature a heavy metal wall and integral flange. The specially formulated nitrile rubber compound is securely bonded to metal shell and is chemical and oil resistant. The integral flange permits solid bolting of the bearing to stern tube stuffing box. The machined male pilot on the integral flange mates with the female recess of the stuffing box. Flanges are furnished UN-DRILLED unless specified. See page 18 for "Drilling Diagrams". For Split or Stepped styles see pages 14-17.

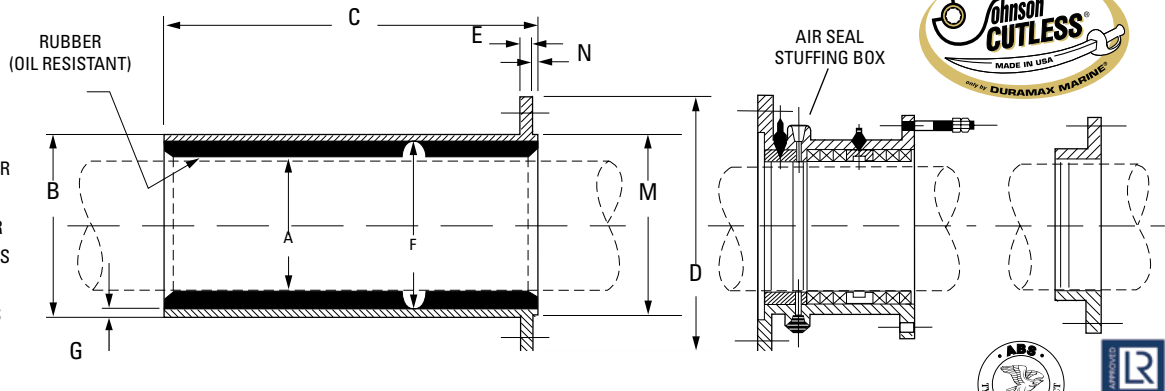
PRECAUTION:

When shrink fitting of the bearing is required, chilling must be achieved by gradual cooling to not more than minus 20°F(-28°C) using freezer or regular ice (**DO NOT DRY ICE**). NOTE: Pounding or shocking the bearing while in the chilled state could cause the rubber to separate from the shell.

Approved Bearings: Johnson Cutless® Naval Brass Flanged Bearings meet military specification MIL-DTL-17901C (SH) Class II Full-Molded type and have full type approval from The American Bureau of Shipping.

| Part No. | Code | A Shaft Diameter | | B Outside Diameter | | C Length | | D Flange Diameter | | E Flange Thickness | | F Metal I.D. | | G Metal Thickness | | M Pilot Diameter | | N Pilot Thickness | | Gross Wt. | |
|-----------|-------|------------------|--------|--------------------|--------|----------|--------|-------------------|--------|--------------------|-------|--------------|--------|-------------------|-------|------------------|--------|-------------------|------|-----------|------|
| | | inch | mm | inch | mm | inch | mm | inch | mm | inch | mm | inch | mm | inch | mm | inch | mm | inch | mm | lbs. | kg. |
| 860642180 | 212 | 2 1/2 | 63.50 | 3 3/8 | 85.73 | 10 | 254.00 | 6 1/4 | 158.75 | 3/8 | 9.53 | 3 1/8 | 79.38 | 1/8 | 3.18 | 4 | 101.60 | 3/16 | 4.76 | 12 | 5.4 |
| 860762180 | 300 | 3 | 76.20 | 4 1/4 | 107.95 | 12 | 304.80 | 7 1/2 | 190.50 | 1/2 | 12.70 | 3 3/4 | 95.25 | 1/4 | 6.35 | 4 3/4 | 120.65 | 3/16 | 4.76 | 21 | 9.5 |
| 860832180 | 314 | 3 1/4 | 82.55 | 4 1/2 | 114.30 | 13 | 330.20 | 7 1/2 | 190.50 | 1/2 | 12.70 | 4 | 101.60 | 1/4 | 6.35 | 4 3/4 | 120.65 | 3/16 | 4.76 | 24 | 10.9 |
| 860892180 | 312 | 3 1/2 | 88.90 | 4 7/8 | 123.83 | 14 | 355.60 | 8 1/8 | 206.38 | 1/2 | 12.70 | 4 1/4 | 107.95 | 5/16 | 7.94 | 5 1/4 | 133.35 | 3/16 | 4.76 | 38 | 17.2 |
| 860952180 | 334 | 3 3/4 | 95.25 | 5 1/4 | 133.35 | 15 | 381.00 | 8 1/8 | 206.38 | 1/2 | 12.70 | 4 5/8 | 117.48 | 5/16 | 7.94 | 5 1/4 | 133.35 | 3/16 | 4.76 | 43 | 19.5 |
| 861022180 | 400 | 4 | 101.60 | 5 1/2 | 139.70 | 16 | 406.40 | 8 5/8 | 219.08 | 1/2 | 12.70 | 4 7/8 | 123.83 | 5/16 | 7.94 | 5 3/4 | 146.05 | 3/16 | 4.76 | 48 | 21.8 |
| 861082180 | 414 | 4 1/4 | 107.95 | 5 3/4 | 146.05 | 17 | 431.80 | 8 5/8 | 219.08 | 1/2 | 12.70 | 5 1/8 | 130.18 | 5/16 | 7.94 | 5 3/4 | 146.05 | 3/16 | 4.76 | 52 | 23.6 |
| 861152180 | 412 | 4 1/2 | 114.30 | 6 | 152.40 | 18 | 457.20 | 9 3/8 | 238.13 | 1/2 | 12.70 | 5 3/8 | 136.53 | 5/16 | 7.94 | 6 1/2 | 165.10 | 3/16 | 4.76 | 58 | 26.3 |
| 861212180 | 434 | 4 3/4 | 120.65 | 6 1/4 | 158.75 | 19 | 482.60 | 9 3/8 | 238.13 | 1/2 | 12.70 | 5 5/8 | 142.88 | 5/16 | 7.94 | 6 1/2 | 165.10 | 3/16 | 4.76 | 61 | 27.7 |
| 861272180 | 500 | 5 | 127.00 | 6 3/4 | 171.45 | 20 | 508.00 | 10 1/8 | 257.18 | 9/16 | 14.29 | 6 | 152.40 | 3/8 | 9.53 | 7 1/4 | 184.15 | 3/16 | 4.76 | 75 | 34.0 |
| 861342181 | 514 | 5 1/4 | 133.35 | 6 7/8 | 174.63 | 21 | 533.40 | 10 1/8 | 257.18 | 9/16 | 14.29 | 6 1/8 | 155.58 | 3/8 | 9.53 | 7 1/4 | 184.15 | 3/16 | 4.76 | 79 | 35.8 |
| 861402180 | 512 | 5 1/2 | 139.70 | 7 1/4 | 184.15 | 22 | 558.80 | 10 5/8 | 269.88 | 9/16 | 14.29 | 6 1/2 | 165.10 | 3/8 | 9.53 | 7 3/4 | 196.85 | 3/16 | 4.76 | 90 | 40.8 |
| 861462180 | 534 | 5 3/4 | 146.05 | 7 1/4 | 184.15 | 23 | 584.20 | 10 5/8 | 269.88 | 9/16 | 14.29 | 6 1/2 | 165.10 | 3/8 | 9.53 | 7 3/4 | 196.85 | 3/16 | 4.76 | 92 | 41.7 |
| 861532180 | 600 | 6 | 152.40 | 7 3/4 | 196.85 | 15 | 381.00 | 11 3/8 | 288.93 | 9/16 | 14.29 | 7 | 177.80 | 3/8 | 9.53 | 8 | 203.20 | 3/8 | 9.53 | 75 | 34.0 |
| —— | 618 | 6 1/8 | 155.58 | 7 7/8 | 200.03 | 15 | 381.00 | 12 1/4 | 311.15 | 9/16 | 14.29 | 7 1/8 | 180.98 | 3/8 | 9.53 | 8 | 203.20 | 3/8 | 9.53 | - | - |
| 861592180 | 614 | 6 1/4 | 158.75 | 7 7/8 | 200.03 | 15 | 381.00 | 11 3/8 | 288.93 | 9/16 | 14.29 | 7 1/8 | 180.98 | 3/8 | 9.53 | 8 | 203.20 | 3/8 | 9.53 | 77 | 34.9 |
| —— | 638 | 6 3/8 | 161.93 | 8 1/8 | 206.38 | 15 | 381.00 | 12 5/8 | 320.68 | 9/16 | 14.29 | 7 3/8 | 187.33 | 3/8 | 9.53 | 8 3/8 | 212.73 | 3/8 | 9.53 | - | - |
| 861662180 | 612 | 6 1/2 | 165.10 | 8 3/8 | 212.73 | 15 | 381.00 | 13 1/2 | 342.90 | 5/8 | 15.88 | 7 1/2 | 190.50 | 7/16 | 11.11 | 8 5/8 | 219.08 | 3/8 | 9.53 | 91 | 41.3 |
| 861692180 | FETCH | 6 5/8 | 168.28 | 8 5/8 | 219.08 | 15 | 381.00 | 13 1/2 | 342.90 | 5/8 | 15.88 | 7 5/8 | 193.68 | 1/2 | 12.70 | 8 5/8 | 219.08 | 3/8 | 9.53 | 104 | 47.2 |
| —— | 658 | 6 5/8 | 168.28 | 8 1/2 | 215.90 | 15 | 381.00 | 13 1/2 | 342.90 | 5/8 | 15.88 | 7 5/8 | 193.68 | 7/16 | 11.11 | 8 5/8 | 219.08 | 3/8 | 9.53 | - | - |
| 861722180 | 634 | 6 3/4 | 171.45 | 8 3/4 | 222.25 | 15 | 381.00 | 13 3/4 | 349.25 | 5/8 | 15.88 | 7 7/8 | 200.03 | 7/16 | 11.11 | 9 | 228.60 | 3/8 | 9.53 | 99 | 44.9 |
| —— | 678 | 6 7/8 | 174.63 | 8 7/8 | 225.43 | 15 | 381.00 | 13 3/4 | 349.25 | 5/8 | 15.88 | 8 | 203.20 | 7/16 | 11.11 | 9 | 228.60 | 3/8 | 9.53 | - | - |
| 861782180 | 700 | 7 | 177.80 | 9 | 228.60 | 17 1/2 | 444.50 | 13 3/4 | 349.25 | 5/8 | 15.88 | 8 1/8 | 206.38 | 7/16 | 11.11 | 9 | 228.60 | 3/8 | 9.53 | 116 | 52.6 |
| —— | 718 | 7 1/8 | 180.98 | 9 1/8 | 231.78 | 17 1/2 | 444.50 | 14 1/8 | 358.78 | 5/8 | 15.88 | 8 1/4 | 209.55 | 7/16 | 11.11 | 9 5/8 | 244.48 | 3/8 | 9.53 | - | - |
| 861852180 | 714 | 7 1/4 | 184.15 | 9 1/4 | 234.95 | 17 1/2 | 444.50 | 14 1/8 | 358.78 | 5/8 | 15.88 | 8 3/8 | 212.73 | 7/16 | 11.11 | 9 5/8 | 244.48 | 3/8 | 9.53 | 122 | 55.3 |
| —— | 738 | 7 3/8 | 187.33 | 9 1/2 | 241.30 | 17 1/2 | 444.50 | 14 1/8 | 358.78 | 5/8 | 15.88 | 8 5/8 | 219.08 | 7/16 | 11.11 | 9 5/8 | 244.48 | 3/8 | 9.53 | - | - |
| 861912180 | 712 | 7 1/2 | 190.50 | 9 5/8 | 244.48 | 17 1/2 | 444.50 | 14 1/2 | 368.30 | 5/8 | 15.88 | 8 3/4 | 222.25 | 7/16 | 11.11 | 10 | 254.00 | 3/8 | 9.53 | 123 | 55.8 |
| —— | 758 | 7 5/8 | 193.68 | 9 3/4 | 247.65 | 17 1/2 | 444.50 | 14 1/2 | 368.30 | 5/8 | 15.88 | 8 7/8 | 225.43 | 7/16 | 11.11 | 10 | 254.00 | 3/8 | 9.53 | - | - |
| 861972180 | 734 | 7 3/4 | 196.85 | 9 7/8 | 250.83 | 17 1/2 | 444.50 | 14 1/2 | 368.30 | 5/8 | 15.88 | 8 7/8 | 225.43 | 1/2 | 12.70 | 10 | 254.00 | 3/8 | 9.53 | 126 | 57.2 |
| —— | 778 | 7 7/8 | 200.03 | 10 | 254.00 | 17 1/2 | 444.50 | 14 7/8 | 377.76 | 5/8 | 15.88 | 9 1/8 | 231.78 | 7/16 | 11.11 | 10 3/8 | 263.53 | 3/8 | 9.53 | - | - |
| 862042180 | HARDY | 8 | 203.20 | 10 1/4 | 260.35 | 20 | 508.00 | 14 7/8 | 377.76 | 5/8 | 15.88 | 9 1/4 | 234.95 | 1/2 | 12.70 | 10 3/8 | 263.53 | 3/8 | 9.53 | 145 | 65.8 |
| —— | 818 | 8 1/8 | 206.38 | 10 3/8 | 263.53 | 20 | 508.00 | 14 7/8 | 377.76 | 5/8 | 15.88 | 9 3/8 | 238.13 | 1/2 | 12.70 | 10 3/8 | 263.53 | 3/8 | 9.53 | - | - |
| 862102180 | 814 | 8 1/4 | 209.55 | 10 1/2 | 266.70 | 20 | 508.00 | 15 1/4 | 387.35 | 5/8 | 15.88 | 9 1/2 | 241.30 | 1/2 | 12.70 | 10 3/4 | 273.05 | 3/8 | 9.53 | 157 | 71.2 |
| —— | 838 | 8 3/8 | 212.73 | 10 5/8 | 269.88 | 20 | 508.00 | 15 1/4 | 387.35 | 5/8 | 15.88 | 9 5/8 | 244.48 | 1/2 | 12.70 | 10 3/4 | 273.05 | 3/8 | 9.53 | 162 | 73.5 |
| 862172180 | 812 | 8 1/2 | 215.90 | 10 3/4 | 273.05 | 20 | 508.00 | 15 1/4 | 387.35 | 5/8 | 15.88 | 9 3/4 | 247.65 | 1/2 | 12.70 | 10 3/4 | 273.05 | 3/8 | 9.53 | 162 | 73.5 |
| —— | 858 | 8 5/8 | 219.08 | 10 7/8 | 276.23 | 20 | 508.00 | 15 5/8 | 396.88 | 3/4 | 19.05 | 9 7/8 | 250.83 | 1/2 | 12.70 | 11 1/8 | 282.58 | 3/8 | 9.53 | - | - |
| 862232180 | 834 | 8 3/4 | 222.25 | 11 | 279.40 | 20 | 508.00 | 15 5/8 | 396.88 | 3/4 | 19.05 | 10 | 254.00 | 1/2 | 12.70 | 11 1/8 | 282.58 | 3/8 | 9.53 | 170 | 77.1 |
| —— | 878 | 8 7/8 | 225.43 | 11 1/8 | 282.58 | 20 | 508.00 | 15 5/8 | 396.88 | 3/4 | 19.05 | 10 1/8 | 257.18 | 1/2 | 12.70 | 11 1/8 | 282.58 | 3/8 | 9.53 | - | - |
| 862292180 | 900 | 9 | 228.60 | 11 1/4 | 285.75 | 22 1/2 | 571.50 | 16 | 406.40 | 3/4 | 19.05 | 10 1/4 | 260.35 | 1/2 | 12.70 | 11 1/2 | 292.10 | 3/8 | 9.53 | 193 | 87.5 |
| —— | 918 | 9 1/8 | 231.78 | 11 3/8 | 288.93 | 22 1/2 | 571.50 | 16 | 406.40 | 3/4 | 19.05 | 10 3/8 | 263.53 | 1/2 | 12.70 | 11 1/2 | 292.10 | 3/8 | 9.53 | - | - |
| 862362180 | INLET | 9 1/4 | 234.95 | 11 1/2 | 292.10 | 22 1/2 | 571.50 | 16 | 406.40 | 3/4 | 19.05 | 10 1/2 | 266.70 | 1/2 | 12.70 | 11 1/2 | 292.10 | 3/8 | 9.53 | 200 | 90.7 |
| —— | 938 | 9 3/8 | 238.13 | 11 5/8 | 295.28 | 22 1/2 | 571.50 | 16 3/8 | 415.93 | 3/4 | 19.05 | 10 5/8 | 269.88 | 1/2 | 12.70 | 11 7/8 | 301.63 | 3/8 | 9.53 | - | - |
| 862422180 | 912 | 9 1/2 | 241.30 | 11 3/4 | 298.45 | 22 1/2 | 571.50 | 16 3/8 | 415.93 | 3/4 | 19.05 | 10 3/4 | 273.05 | 1/2 | 12.70 | 11 7/8 | 301.63 | 3/8 | 9.53 | 205 | 93.0 |

NOTE: Dimensions for each size bearing continue across both pages.



- A = SHAFT DIAMETER
- B = OUTSIDE DIAMETER
- C = LENGTH
- D = FLANGE DIAMETER
- E = FLANGE THICKNESS
- F = METAL I.D.
- G = METAL THICKNESS
- M = PILOT DIAMETER
- N = PILOT THICKNESS

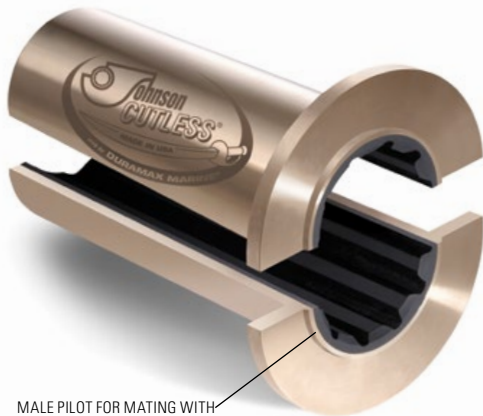


| Part No. | Code | A Shaft Diameter | | B Outside Diameter | | C Length | | D Flange Diameter | | E Flange Thickness | | F Metal I.D. | | G Metal Thickness | | M Pilot Diameter | | N Pilot Thickness | | Gross Wt. | |
|-----------|-------|------------------|--------|--------------------|--------|----------|--------|-------------------|--------|--------------------|-------|--------------|--------|-------------------|-------|------------------|--------|-------------------|------|-----------|-------|
| | | inch | mm | inch | mm | inch | mm | inch | mm | inch | mm | inch | mm | inch | mm | inch | mm | inch | mm | lbs. | kg. |
| 862452182 | 958 | 9 5/8 | 244.48 | 11 7/8 | 301.63 | 22 1/2 | 571.50 | 16 3/8 | 415.93 | 3/4 | 19.05 | 10 7/8 | 276.23 | 1/2 | 12.70 | 11 7/8 | 301.63 | 3/8 | 9.53 | - | - |
| 862482180 | 934 | 9 3/4 | 247.65 | 12 1/8 | 307.98 | 22 1/2 | 571.50 | 16 7/8 | 428.56 | 3/4 | 19.05 | 11 | 279.40 | 9/16 | 14.29 | 12 3/8 | 314.33 | 3/8 | 9.53 | 217 | 98.4 |
| 862522180 | 978 | 9 7/8 | 250.83 | 12 1/4 | 311.15 | 22 1/2 | 571.50 | 16 7/8 | 428.56 | 3/4 | 19.05 | 11 1/8 | 282.58 | 9/16 | 14.29 | 12 3/8 | 314.33 | 3/8 | 9.53 | - | - |
| 862552180 | 1000 | 10 | 254.00 | 12 3/8 | 314.33 | 25 | 635.00 | 16 7/8 | 428.56 | 3/4 | 19.05 | 11 1/4 | 285.75 | 9/16 | 14.29 | 12 3/8 | 314.33 | 3/8 | 9.53 | 240 | 108.9 |
| — | 1018 | 10 1/8 | 257.18 | 12 1/2 | 317.50 | 25 | 635.00 | 17 7/8 | 453.96 | 3/4 | 19.05 | 11 3/8 | 288.93 | 9/16 | 14.29 | 12 3/4 | 323.85 | 3/8 | 9.53 | - | - |
| 862612180 | 1014 | 10 1/4 | 260.35 | 12 5/8 | 320.68 | 25 | 635.00 | 17 7/8 | 453.96 | 3/4 | 19.05 | 11 1/2 | 292.10 | 9/16 | 14.29 | 12 3/4 | 323.85 | 3/8 | 9.53 | 244 | 110.7 |
| — | 1038 | 10 3/8 | 263.53 | 12 3/4 | 323.85 | 25 | 635.00 | 17 7/8 | 453.96 | 3/4 | 19.05 | 11 5/8 | 295.28 | 9/16 | 14.29 | 12 3/4 | 323.85 | 3/8 | 9.53 | - | - |
| 862682180 | 1012 | 10 1/2 | 266.70 | 12 7/8 | 327.03 | 25 | 635.00 | 18 1/4 | 463.55 | 3/4 | 19.05 | 11 3/4 | 298.45 | 9/16 | 14.29 | 13 1/8 | 333.38 | 3/8 | 9.53 | 247 | 112.0 |
| — | 1058 | 10 5/8 | 269.88 | 13 | 330.20 | 25 | 635.00 | 18 1/4 | 463.55 | 3/4 | 19.05 | 11 7/8 | 301.63 | 9/16 | 14.29 | 13 1/8 | 333.38 | 3/8 | 9.53 | - | - |
| 862742180 | JOLLY | 10 3/4 | 273.05 | 13 1/8 | 333.38 | 25 | 635.00 | 18 1/4 | 463.55 | 3/4 | 19.05 | 12 | 304.80 | 9/16 | 14.29 | 13 1/8 | 333.38 | 3/8 | 9.53 | 250 | 113.4 |
| — | 1078 | 10 7/8 | 276.23 | 13 1/4 | 336.55 | 25 | 635.00 | 18 5/8 | 473.08 | 3/4 | 19.05 | 12 1/8 | 307.98 | 9/16 | 14.29 | 13 1/2 | 342.90 | 3/8 | 9.53 | - | - |
| 862802180 | KETCH | 11 | 279.40 | 13 1/2 | 342.90 | 27 1/2 | 698.50 | 18 5/8 | 473.08 | 3/4 | 19.05 | 12 3/8 | 314.33 | 9/16 | 14.29 | 13 1/2 | 342.90 | 3/8 | 9.53 | 300 | 136.1 |
| — | 1118 | 11 1/8 | 282.58 | 13 5/8 | 346.08 | 27 1/2 | 698.50 | 18 5/8 | 473.08 | 3/4 | 19.05 | 12 1/2 | 317.50 | 9/16 | 14.29 | 13 1/2 | 342.90 | 3/8 | 9.53 | - | - |
| 862872180 | 1114 | 11 1/4 | 285.75 | 13 3/4 | 349.25 | 27 1/2 | 698.50 | 19 | 482.60 | 3/4 | 19.05 | 12 5/8 | 320.68 | 9/16 | 14.29 | 13 7/8 | 352.43 | 3/8 | 9.53 | 312 | 141.5 |
| — | 1138 | 11 3/8 | 288.93 | 14 | 355.60 | 27 1/2 | 698.50 | 19 | 482.60 | 3/4 | 19.05 | 12 3/4 | 323.85 | 5/8 | 15.88 | 13 7/8 | 352.43 | 3/8 | 9.53 | - | - |
| 862932180 | 1112 | 11 1/2 | 292.10 | 14 1/8 | 358.78 | 27 1/2 | 698.50 | 19 | 482.60 | 3/4 | 19.05 | 12 7/8 | 327.03 | 5/8 | 15.88 | 13 7/8 | 352.43 | 3/8 | 9.53 | 326 | 147.9 |
| — | 1158 | 11 5/8 | 295.28 | 14 1/4 | 361.95 | 27 1/2 | 698.50 | 19 3/8 | 492.13 | 3/4 | 19.05 | 13 | 330.20 | 5/8 | 15.88 | 14 1/8 | 358.78 | 3/8 | 9.53 | - | - |
| 862992180 | 1134 | 11 3/4 | 298.45 | 14 3/8 | 365.13 | 27 1/2 | 698.50 | 19 3/8 | 492.13 | 3/4 | 19.05 | 13 1/8 | 333.38 | 5/8 | 15.88 | 14 1/8 | 358.78 | 3/8 | 9.53 | 335 | 152.0 |
| — | 1178 | 11 7/8 | 301.63 | 14 1/2 | 368.30 | 27 1/2 | 698.50 | 19 3/8 | 492.13 | 3/4 | 19.05 | 13 1/4 | 336.55 | 5/8 | 15.88 | 14 1/8 | 358.78 | 3/8 | 9.53 | - | - |
| 863062180 | 1200 | 12 | 304.80 | 14 3/4 | 374.65 | 30 | 762.00 | 19 3/4 | 501.65 | 3/4 | 19.05 | 13 1/2 | 342.90 | 5/8 | 15.88 | 14 1/2 | 368.30 | 3/8 | 9.53 | 360 | 163.3 |
| 863092180 | 1218 | 12 1/8 | 307.98 | 14 7/8 | 377.83 | 30 | 762.00 | 19 3/4 | 501.65 | 3/4 | 19.05 | 13 5/8 | 346.08 | 5/8 | 15.88 | 14 1/2 | 368.30 | 3/8 | 9.53 | - | - |
| 863122180 | 1214 | 12 1/4 | 311.15 | 15 | 381.00 | 30 | 762.00 | 19 3/4 | 501.65 | 3/4 | 19.05 | 13 3/4 | 349.25 | 5/8 | 15.88 | 14 1/2 | 368.30 | 3/8 | 9.53 | 373 | 169.2 |
| 863152180 | 1238 | 12 3/8 | 314.33 | 15 1/8 | 384.18 | 30 | 762.00 | 20 1/8 | 511.18 | 7/8 | 22.23 | 13 7/8 | 352.43 | 5/8 | 15.88 | 15 1/8 | 384.18 | 3/8 | 9.53 | - | - |
| 863182180 | 1212 | 12 1/2 | 317.50 | 15 1/4 | 387.35 | 30 | 762.00 | 20 1/8 | 511.18 | 7/8 | 22.23 | 14 | 355.60 | 5/8 | 15.88 | 15 1/8 | 384.18 | 3/8 | 9.53 | 394 | 178.7 |
| 863222180 | 1258 | 12 5/8 | 320.68 | 15 3/8 | 390.53 | 30 | 762.00 | 20 1/8 | 511.18 | 7/8 | 22.23 | 14 1/8 | 358.78 | 5/8 | 15.88 | 15 1/8 | 384.18 | 3/8 | 9.53 | - | - |
| — | 1234 | 12 3/4 | 323.85 | 15 1/2 | 393.70 | 30 | 762.00 | 20 1/2 | 520.70 | 7/8 | 22.23 | 14 1/4 | 361.95 | 5/8 | 15.88 | 15 1/2 | 393.70 | 3/8 | 9.53 | - | - |
| — | 1278 | 12 7/8 | 327.03 | 15 5/8 | 396.88 | 30 | 762.00 | 20 1/2 | 520.70 | 7/8 | 22.23 | 14 3/8 | 365.13 | 5/8 | 15.88 | 15 1/2 | 393.70 | 3/8 | 9.53 | - | - |
| — | 1300 | 13 | 330.20 | 15 7/8 | 403.23 | 32 1/2 | 825.50 | 20 1/2 | 520.70 | 7/8 | 22.23 | 14 1/2 | 368.30 | 11/16 | 17.46 | 15 1/2 | 393.70 | 3/8 | 9.53 | - | - |
| — | 1318 | 13 1/8 | 333.38 | 16 | 406.40 | 32 1/2 | 825.50 | 21 | 533.40 | 7/8 | 22.23 | 14 5/8 | 371.48 | 11/16 | 17.46 | 15 3/4 | 400.05 | 3/8 | 9.53 | - | - |
| — | 1314 | 13 1/4 | 336.55 | 16 1/8 | 409.58 | 32 1/2 | 825.50 | 21 | 533.40 | 7/8 | 22.23 | 14 3/4 | 374.65 | 11/16 | 17.46 | 15 3/4 | 400.05 | 3/8 | 9.53 | - | - |
| — | 1338 | 13 3/8 | 339.73 | 16 1/4 | 412.75 | 32 1/2 | 825.50 | 21 | 533.40 | 7/8 | 22.23 | 14 7/8 | 377.83 | 11/16 | 17.46 | 15 3/4 | 400.05 | 3/8 | 9.53 | - | - |
| 863442181 | 1312 | 13 1/2 | 342.90 | 16 3/8 | 415.93 | 32 1/2 | 825.50 | 21 3/8 | 542.93 | 7/8 | 22.23 | 15 | 381.00 | 11/16 | 17.46 | 16 1/4 | 412.75 | 3/8 | 9.53 | - | - |
| 863472180 | 1358 | 13 5/8 | 346.08 | 16 1/2 | 419.10 | 32 1/2 | 825.50 | 21 3/8 | 542.93 | 7/8 | 22.23 | 15 1/8 | 384.18 | 11/16 | 17.46 | 16 1/4 | 412.75 | 3/8 | 9.53 | - | - |
| — | 1334 | 13 3/4 | 349.25 | 16 5/8 | 422.28 | 32 1/2 | 825.50 | 21 3/8 | 542.93 | 7/8 | 22.23 | 15 1/4 | 387.35 | 11/16 | 17.46 | 16 1/4 | 412.75 | 3/8 | 9.53 | - | - |
| — | 1378 | 13 7/8 | 352.43 | 16 3/4 | 425.45 | 32 1/2 | 825.50 | 21 3/4 | 552.45 | 7/8 | 22.23 | 15 3/8 | 390.53 | 11/16 | 17.46 | 16 5/8 | 422.28 | 3/8 | 9.53 | - | - |
| — | 1400 | 14 | 355.60 | 16 7/8 | 428.63 | 35 | 889.00 | 21 3/4 | 552.45 | 7/8 | 22.23 | 15 1/2 | 393.70 | 11/16 | 17.46 | 16 5/8 | 422.28 | 3/8 | 9.53 | - | - |
| — | 1418 | 14 1/8 | 358.78 | 17 | 431.80 | 35 | 889.00 | 21 3/4 | 552.45 | 7/8 | 22.23 | 15 5/8 | 396.88 | 11/16 | 17.46 | 16 5/8 | 422.28 | 3/8 | 9.53 | - | - |
| — | 1414 | 14 1/4 | 361.95 | 17 1/8 | 434.98 | 35 | 889.00 | 22 1/8 | 561.98 | 7/8 | 22.23 | 15 3/4 | 400.05 | 11/16 | 17.46 | 17 1/4 | 438.15 | 3/8 | 9.53 | - | - |
| — | 1438 | 14 3/8 | 365.13 | 17 1/4 | 438.15 | 35 | 889.00 | 22 1/8 | 561.98 | 7/8 | 22.23 | 15 7/8 | 403.23 | 11/16 | 17.46 | 17 1/4 | 438.15 | 3/8 | 9.53 | - | - |
| — | 1412 | 14 1/2 | 368.30 | 17 1/2 | 444.50 | 35 | 889.00 | 22 1/8 | 561.98 | 7/8 | 22.23 | 16 | 406.40 | 3/4 | 19.05 | 17 1/4 | 438.15 | 3/8 | 9.53 | - | - |
| — | 1458 | 14 5/8 | 371.48 | 17 5/8 | 447.68 | 35 | 889.00 | 22 1/2 | 571.50 | 7/8 | 22.23 | 16 1/8 | 409.58 | 3/4 | 19.05 | 17 1/2 | 444.50 | 3/8 | 9.53 | - | - |
| — | 1434 | 14 3/4 | 374.65 | 17 3/4 | 450.85 | 35 | 889.00 | 22 1/2 | 571.50 | 7/8 | 22.23 | 16 1/4 | 412.75 | 3/4 | 19.05 | 17 1/2 | 444.50 | 3/8 | 9.53 | - | - |
| — | 1478 | 14 7/8 | 377.83 | 17 7/8 | 454.03 | 35 | 889.00 | 22 3/4 | 577.85 | 7/8 | 22.23 | 16 3/8 | 415.93 | 3/4 | 19.05 | 17 3/4 | 450.85 | 3/8 | 9.53 | - | - |
| — | 1500 | 15 | 381.00 | 18 | 457.20 | 35 | 889.00 | 22 3/4 | 577.85 | 7/8 | 22.23 | 16 1/2 | 419.10 | 3/4 | 19.05 | 17 3/4 | 450.85 | 3/8 | 9.53 | - | - |

NOTE: Dimensions for each size bearing continue across both pages.

Split Naval Brass Flanged Bearings

SPLIT FORWARD STERN TUBE



MALE PILOT FOR MATING WITH STUFFING BOX RECESS

Made of the same engineered quality as other Johnson Cutless® Naval Brass Bearings, these Flanged Bearings for Forward Stern Tube installation have a male pilot designed to mate with the female recess in the Stuffing Box flange. Stuffing Box has an inlet for piping water to lubricate bearings.

Split styles offer ease of installation and change. Sufficient space is required to move stuffing box forward to enable withdrawal of Forward Stern Tube Bearing. Space allocated should be equal to the combined length of both the Forward Stern Tube Bearing and Stuffing Box, plus two inches. Consult factory when dimensions are less than dimensions specified.

APPROVED BEARINGS:

Johnson Cutless® Naval Brass Flanged Bearings meet military specification MIL-DTL-17901C (Ships) Class II Full-Molded type. Flanged are furnished NOT DRILLED unless specified. See page 18 for "Drilling Diagrams". NOTE: for Johnson Stuffing Box Dimensional Data, contact Duramax Marine® LLC.

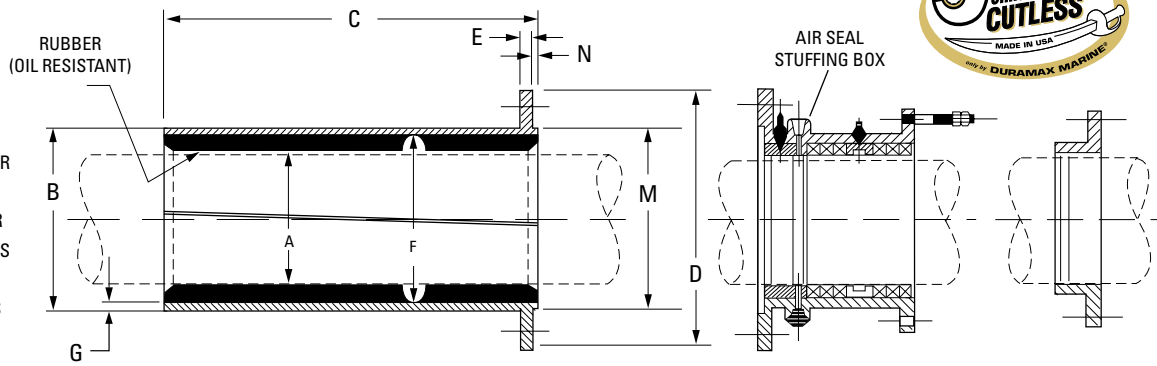
PRECAUTION:

When shrink fitting of the bearing is required, chilling must be achieved by gradual cooling to not more than minus 20°F (-28°C) using freezer or regular ice (DO NOT DRY ICE). NOTE: Pounding or shocking the bearing while in the chilled state could cause the rubber to separate from the shell.

Approved Bearings: Johnson Cutless® Naval Brass Flanged Bearings meet military specification MIL-DTL-17901C (SH) Class II Full-Molded type and have full type approval from The American Bureau of Shipping.

| Part No. | Code | A Shaft Diameter | | B Outside Diameter | | C Length | | D Flange Diameter | | E Flange Thickness | | F Metal I.D. | | G Metal Thickness | | M Pilot Diameter | | N Pilot Thickness | | Gross Wt. | |
|-----------|-------|------------------|--------|--------------------|--------|----------|--------|-------------------|--------|--------------------|-------|--------------|--------|-------------------|-------|------------------|--------|-------------------|------|-----------|-----|
| | | inch | mm | inch | mm | inch | mm | inch | mm | inch | mm | inch | mm | inch | mm | inch | mm | inch | mm | lbs. | kg. |
| 861532190 | FLAKE | 6 | 152.40 | 8 3/4 | 222.25 | 20 | 508.00 | 11 5/8 | 295.28 | 5/8 | 15.88 | 7 | 177.80 | 7/8 | 22.23 | 8 | 203.20 | 1/4 | 6.35 | - | - |
| - | 600 | 6 | 152.40 | 7 7/8 | 200.03 | 15 | 381.00 | 12 1/4 | 311.15 | 9/16 | 14.29 | 7 | 177.80 | 7/16 | 11.11 | 8 | 203.20 | 3/8 | 9.53 | - | - |
| - | 618 | 6 1/8 | 155.58 | 8 | 203.20 | 15 | 381.00 | 12 1/4 | 311.15 | 9/16 | 14.29 | 7 1/8 | 180.98 | 7/16 | 11.11 | 8 | 203.20 | 3/8 | 9.53 | - | - |
| - | 614 | 6 1/4 | 158.75 | 8 1/8 | 206.38 | 15 | 381.00 | 12 5/8 | 320.68 | 9/16 | 14.29 | 7 1/4 | 184.15 | 7/16 | 11.11 | 8 3/8 | 212.73 | 3/8 | 9.53 | - | - |
| 861622190 | 638 | 6 3/8 | 161.93 | 8 1/4 | 209.55 | 15 | 381.00 | 12 5/8 | 320.68 | 9/16 | 14.29 | 7 3/8 | 187.33 | 7/16 | 11.11 | 8 3/8 | 212.73 | 3/8 | 9.53 | - | - |
| 861662190 | 612 | 6 1/2 | 165.10 | 8 3/8 | 212.73 | 15 | 381.00 | 13 1/2 | 342.90 | 5/8 | 15.88 | 7 1/2 | 190.50 | 7/16 | 11.11 | 8 5/8 | 219.08 | 3/8 | 9.53 | - | - |
| - | 658 | 6 5/8 | 168.28 | 8 5/8 | 219.08 | 15 | 381.00 | 13 1/2 | 342.90 | 5/8 | 15.88 | 7 5/8 | 193.68 | 1/2 | 12.70 | 8 5/8 | 219.08 | 3/8 | 9.53 | - | - |
| 861722190 | 634 | 6 3/4 | 171.45 | 8 7/8 | 225.43 | 15 | 381.00 | 13 3/4 | 349.25 | 5/8 | 15.88 | 7 7/8 | 200.03 | 1/2 | 12.70 | 9 | 228.60 | 3/8 | 9.53 | - | - |
| - | 678 | 6 7/8 | 174.63 | 9 | 228.60 | 15 | 381.00 | 13 3/4 | 349.25 | 5/8 | 15.88 | 8 | 203.20 | 1/2 | 12.70 | 9 | 228.60 | 3/8 | 9.53 | - | - |
| - | 700 | 7 | 177.80 | 9 1/8 | 231.78 | 17 1/2 | 444.50 | 13 3/4 | 349.25 | 5/8 | 15.88 | 8 1/8 | 206.38 | 1/2 | 12.70 | 9 | 228.60 | 3/8 | 9.53 | - | - |
| - | 718 | 7 1/8 | 180.98 | 9 1/4 | 234.95 | 17 1/2 | 444.50 | 14 1/8 | 358.78 | 5/8 | 15.88 | 8 1/4 | 209.55 | 1/2 | 12.70 | 9 5/8 | 244.48 | 3/8 | 9.53 | - | - |
| - | 714 | 7 1/4 | 184.15 | 9 3/8 | 238.13 | 17 1/2 | 444.50 | 14 1/8 | 358.78 | 5/8 | 15.88 | 8 3/8 | 212.73 | 1/2 | 12.70 | 9 5/8 | 244.48 | 3/8 | 9.53 | - | - |
| - | 738 | 7 3/8 | 187.33 | 9 5/8 | 244.48 | 17 1/2 | 444.50 | 14 1/8 | 358.78 | 5/8 | 15.88 | 8 5/8 | 219.08 | 1/2 | 12.70 | 9 5/8 | 244.48 | 3/8 | 9.53 | - | - |
| 861912190 | 712 | 7 1/2 | 190.50 | 9 3/4 | 247.65 | 17 1/2 | 444.50 | 14 1/2 | 368.30 | 5/8 | 15.88 | 8 3/4 | 222.25 | 1/2 | 12.70 | 10 | 254.00 | 3/8 | 9.53 | - | - |
| - | 758 | 7 5/8 | 193.68 | 9 7/8 | 250.83 | 17 1/2 | 444.50 | 14 1/2 | 368.30 | 5/8 | 15.88 | 8 7/8 | 225.43 | 1/2 | 12.70 | 10 | 254.00 | 3/8 | 9.53 | - | - |
| - | 734 | 7 3/4 | 196.85 | 10 | 254.00 | 17 1/2 | 444.50 | 14 1/2 | 368.30 | 5/8 | 15.88 | 9 | 228.60 | 1/2 | 12.70 | 10 | 254.00 | 3/8 | 9.53 | - | - |
| - | 778 | 7 7/8 | 200.03 | 10 1/8 | 257.18 | 17 1/2 | 444.50 | 14 7/8 | 377.83 | 5/8 | 15.88 | 9 1/8 | 231.78 | 1/2 | 12.70 | 10 3/8 | 263.53 | 3/8 | 9.53 | - | - |
| - | 800 | 8 | 203.20 | 10 3/8 | 263.53 | 20 | 508.00 | 14 7/8 | 377.83 | 5/8 | 15.88 | 9 1/4 | 234.95 | 9/16 | 14.29 | 10 3/8 | 263.53 | 3/8 | 9.53 | - | - |
| - | 818 | 8 1/8 | 206.38 | 10 1/2 | 266.70 | 20 | 508.00 | 14 7/8 | 377.83 | 5/8 | 15.88 | 9 3/8 | 238.13 | 9/16 | 14.29 | 10 3/8 | 263.53 | 3/8 | 9.53 | - | - |
| - | 814 | 8 1/4 | 209.55 | 10 5/8 | 269.88 | 20 | 508.00 | 15 1/4 | 387.35 | 5/8 | 15.88 | 9 1/2 | 241.30 | 9/16 | 14.29 | 10 3/4 | 273.05 | 3/8 | 9.53 | - | - |
| - | 838 | 8 3/8 | 212.73 | 10 3/4 | 273.05 | 20 | 508.00 | 15 1/4 | 387.35 | 5/8 | 15.88 | 9 5/8 | 244.48 | 9/16 | 14.29 | 10 3/4 | 273.05 | 3/8 | 9.53 | - | - |
| - | 812 | 8 1/2 | 215.90 | 10 7/8 | 276.23 | 20 | 508.00 | 15 1/4 | 387.35 | 5/8 | 15.88 | 9 3/4 | 247.65 | 9/16 | 14.29 | 10 3/4 | 273.05 | 3/8 | 9.53 | - | - |
| 862202190 | 858 | 8 5/8 | 219.08 | 11 | 279.40 | 20 | 508.00 | 15 5/8 | 396.88 | 3/4 | 19.05 | 9 7/8 | 250.83 | 9/16 | 14.29 | 11 1/8 | 282.58 | 3/8 | 9.53 | - | - |
| - | 834 | 8 3/4 | 222.25 | 11 1/8 | 282.58 | 20 | 508.00 | 15 5/8 | 396.88 | 3/4 | 19.05 | 10 | 254.00 | 9/16 | 14.29 | 11 1/8 | 282.58 | 3/8 | 9.53 | - | - |
| 862262190 | 878 | 8 7/8 | 225.43 | 11 1/4 | 285.75 | 20 | 508.00 | 15 5/8 | 396.88 | 3/4 | 19.05 | 10 1/8 | 257.18 | 9/16 | 14.29 | 11 1/8 | 282.58 | 3/8 | 9.53 | - | - |
| - | 900 | 9 | 228.60 | 11 3/8 | 288.93 | 22 1/2 | 571.50 | 16 | 406.40 | 3/4 | 19.05 | 10 1/4 | 260.35 | 9/16 | 14.29 | 11 1/2 | 292.10 | 3/8 | 9.53 | - | - |
| - | 918 | 9 1/8 | 231.78 | 11 1/2 | 292.10 | 22 1/2 | 571.50 | 16 | 406.40 | 3/4 | 19.05 | 10 3/8 | 263.53 | 9/16 | 14.29 | 11 1/2 | 292.10 | 3/8 | 9.53 | - | - |
| - | 914 | 9 1/4 | 234.95 | 11 5/8 | 295.28 | 22 1/2 | 571.50 | 16 | 406.40 | 3/4 | 19.05 | 10 1/2 | 266.70 | 9/16 | 14.29 | 11 1/2 | 292.10 | 3/8 | 9.53 | - | - |
| - | 938 | 9 3/8 | 238.13 | 11 3/4 | 298.45 | 22 1/2 | 571.50 | 16 3/8 | 415.93 | 3/4 | 19.05 | 10 5/8 | 369.88 | 9/16 | 14.29 | 11 7/8 | 301.63 | 3/8 | 9.53 | - | - |
| - | 912 | 9 1/2 | 241.30 | 11 3/4 | 298.45 | 22 1/2 | 571.50 | 16 3/8 | 415.93 | 3/4 | 19.05 | 10 3/4 | 273.05 | 9/16 | 14.29 | 11 7/8 | 301.63 | 3/8 | 9.53 | - | - |
| - | 958 | 9 5/8 | 244.48 | 12 | 304.80 | 22 1/2 | 571.50 | 16 3/8 | 415.93 | 3/4 | 19.05 | 10 7/8 | 276.23 | 9/16 | 14.29 | 11 7/8 | 301.63 | 3/8 | 9.53 | - | - |
| - | 934 | 9 3/4 | 247.65 | 12 1/4 | 311.15 | 22 1/2 | 571.50 | 16 7/8 | 428.63 | 3/4 | 19.05 | 11 | 279.40 | 5/8 | 15.88 | 12 3/8 | 314.33 | 3/8 | 9.53 | - | - |
| - | 978 | 9 7/8 | 250.83 | 12 3/8 | 314.33 | 22 1/2 | 571.50 | 16 7/8 | 428.63 | 3/4 | 19.05 | 11 1/8 | 282.58 | 5/8 | 15.88 | 12 3/8 | 314.33 | 3/8 | 9.53 | - | - |
| - | 1000 | 10 | 254.00 | 12 1/2 | 317.50 | 25 | 635.00 | 16 7/8 | 428.63 | 3/4 | 19.05 | 11 1/4 | 285.75 | 5/8 | 15.88 | 12 3/8 | 314.33 | 3/8 | 9.53 | - | - |
| - | 1018 | 10 1/8 | 257.18 | 12 5/8 | 320.68 | 25 | 635.00 | 17 7/8 | 454.03 | 3/4 | 19.05 | 11 3/8 | 288.93 | 5/8 | 15.88 | 12 3/4 | 323.85 | 3/8 | 9.53 | - | - |
| - | 1014 | 10 1/4 | 260.35 | 12 3/4 | 323.85 | 25 | 635.00 | 17 7/8 | 454.03 | 3/4 | 19.05 | 11 1/2 | 292.10 | 5/8 | 15.88 | 12 3/4 | 323.85 | 3/8 | 9.53 | - | - |
| - | 1038 | 10 3/8 | 263.53 | 12 7/8 | 327.03 | 25 | 635.00 | 17 7/8 | 454.03 | 3/4 | 19.05 | 11 5/8 | 295.28 | 5/8 | 15.88 | 12 3/4 | 323.85 | 3/8 | 9.53 | - | - |

NOTE: Dimensions for each size bearing continue across both pages.



- A = SHAFT DIAMETER
- B = OUTSIDE DIAMETER
- C = LENGTH
- D = FLANGE DIAMETER
- E = FLANGE THICKNESS
- F = METAL I.D.
- G = METAL THICKNESS
- M= PILOT DIAMETER
- N = PILOT THICKNESS

To Facilitate Assembly and Removal of Bearing — Split on Taper as Follows:
 Split Above or Below Ctr. Line, At End: Bearing Length 1/16 Up to and including 36" long

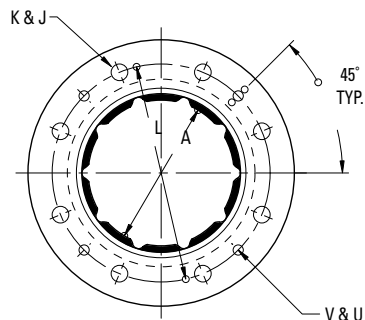


| Part No. | Code | A Shaft Diameter | | B Outside Diameter | | C Length | | D Flange Diameter | | E Flange Thickness | | F Metal I.D. | | G Metal Thickness | | M Pilot Diameter | | N Pilot Thickness | | Gross Wt. | |
|-----------|------|------------------|--------|--------------------|--------|----------|--------|-------------------|--------|--------------------|-------|--------------|--------|-------------------|-------|------------------|--------|-------------------|------|-----------|-----|
| | | inch | mm | inch | mm | inch | mm | inch | mm | inch | mm | inch | mm | inch | mm | inch | mm | inch | mm | lbs. | kg. |
| - | 1012 | 10 1/2 | 266.70 | 13 | 330.20 | 25 | 635.00 | 18 1/4 | 463.55 | 3/4 | 19.05 | 11 3/4 | 298.45 | 5/8 | 15.88 | 13 1/8 | 333.38 | 3/8 | 9.53 | - | - |
| - | 1058 | 10 5/8 | 269.88 | 13 1/8 | 333.38 | 25 | 635.00 | 18 1/4 | 463.55 | 3/4 | 19.05 | 11 7/8 | 301.63 | 5/8 | 15.88 | 13 1/8 | 333.38 | 3/8 | 9.53 | - | - |
| - | 1034 | 10 3/4 | 273.05 | 13 1/4 | 336.55 | 25 | 635.00 | 18 1/4 | 463.55 | 3/4 | 19.05 | 12 | 304.80 | 5/8 | 15.88 | 13 1/8 | 333.38 | 3/8 | 9.53 | - | - |
| - | 1078 | 10 7/8 | 276.23 | 13 3/8 | 339.73 | 25 | 635.00 | 18 5/8 | 473.08 | 3/4 | 19.05 | 12 1/8 | 307.98 | 5/8 | 15.88 | 13 1/2 | 342.90 | 3/8 | 9.53 | - | - |
| - | 1100 | 11 | 279.40 | 13 5/8 | 346.08 | 27 1/2 | 698.50 | 18 5/8 | 473.08 | 3/4 | 19.05 | 12 3/8 | 314.33 | 5/8 | 15.88 | 13 1/2 | 342.90 | 3/8 | 9.53 | - | - |
| - | 1118 | 11 1/8 | 282.58 | 13 3/4 | 349.25 | 27 1/2 | 698.50 | 18 5/8 | 473.08 | 3/4 | 19.05 | 12 1/2 | 317.50 | 5/8 | 15.88 | 13 1/2 | 342.90 | 3/8 | 9.53 | - | - |
| - | 1114 | 11 1/4 | 285.75 | 13 7/8 | 352.43 | 27 1/2 | 698.50 | 19 | 482.60 | 3/4 | 19.05 | 12 5/8 | 320.68 | 5/8 | 15.88 | 13 7/8 | 352.43 | 3/8 | 9.53 | - | - |
| - | 1138 | 11 3/8 | 288.93 | 14 1/8 | 358.78 | 27 1/2 | 698.50 | 19 | 482.60 | 3/4 | 19.05 | 12 3/4 | 323.85 | 11/16 | 17.46 | 13 7/8 | 352.43 | 3/8 | 9.53 | - | - |
| - | 1112 | 11 1/2 | 292.10 | 14 1/4 | 361.95 | 27 1/2 | 698.50 | 19 | 482.60 | 3/4 | 19.05 | 12 7/8 | 327.03 | 11/16 | 17.46 | 13 7/8 | 352.43 | 3/8 | 9.53 | - | - |
| - | 1158 | 11 5/8 | 295.28 | 14 3/8 | 365.13 | 27 1/2 | 698.50 | 19 3/8 | 492.13 | 3/4 | 19.05 | 13 | 330.20 | 11/16 | 17.46 | 14 1/8 | 358.78 | 3/8 | 9.53 | - | - |
| - | 1134 | 11 3/4 | 298.45 | 14 1/2 | 368.30 | 27 1/2 | 698.50 | 19 3/8 | 492.13 | 3/4 | 19.05 | 13 1/8 | 333.38 | 11/16 | 17.46 | 14 1/8 | 358.78 | 3/8 | 9.53 | - | - |
| - | 1178 | 11 7/8 | 301.63 | 14 5/8 | 371.48 | 27 1/2 | 698.50 | 19 3/8 | 492.13 | 3/4 | 19.05 | 13 1/4 | 336.55 | 11/16 | 17.46 | 14 1/8 | 358.78 | 3/8 | 9.53 | - | - |
| - | 1200 | 12 | 304.80 | 14 7/8 | 377.83 | 30 | 762.00 | 19 3/4 | 501.65 | 3/4 | 19.05 | 13 1/2 | 342.90 | 11/16 | 17.46 | 14 1/2 | 368.30 | 3/8 | 9.53 | - | - |
| - | 1218 | 12 1/8 | 307.98 | 15 | 381.00 | 30 | 762.00 | 19 3/4 | 501.65 | 3/4 | 19.05 | 13 5/8 | 346.08 | 11/16 | 17.46 | 14 1/2 | 368.30 | 3/8 | 9.53 | - | - |
| - | 1214 | 12 1/4 | 311.15 | 15 1/8 | 384.18 | 30 | 762.00 | 19 3/4 | 501.65 | 3/4 | 19.05 | 13 3/4 | 349.25 | 11/16 | 17.46 | 14 1/2 | 368.30 | 3/8 | 9.53 | - | - |
| - | 1238 | 12 3/8 | 314.33 | 15 1/4 | 387.35 | 30 | 762.00 | 20 1/8 | 511.18 | 7/8 | 22.23 | 13 7/8 | 352.43 | 11/16 | 17.46 | 15 1/8 | 384.18 | 3/8 | 9.53 | - | - |
| 863182190 | 1212 | 12 1/2 | 317.50 | 15 3/8 | 390.53 | 30 | 762.00 | 20 1/8 | 511.18 | 7/8 | 22.23 | 14 | 355.60 | 11/16 | 17.46 | 15 1/8 | 384.18 | 3/8 | 9.53 | - | - |
| - | 1258 | 12 5/8 | 320.68 | 15 1/2 | 393.70 | 30 | 762.00 | 20 1/8 | 511.18 | 7/8 | 22.23 | 14 1/8 | 358.78 | 11/16 | 17.46 | 15 1/8 | 384.18 | 3/8 | 9.53 | - | - |
| - | 1234 | 12 3/4 | 323.85 | 15 5/8 | 396.88 | 30 | 762.00 | 20 1/2 | 520.70 | 7/8 | 22.23 | 14 1/4 | 361.95 | 11/16 | 17.46 | 15 1/2 | 393.70 | 3/8 | 9.53 | - | - |
| - | 1278 | 12 7/8 | 327.03 | 15 3/4 | 400.05 | 30 | 762.00 | 20 1/2 | 520.70 | 7/8 | 22.23 | 14 3/8 | 365.13 | 11/16 | 17.46 | 15 1/2 | 393.70 | 3/8 | 9.53 | - | - |
| - | 1300 | 13 | 330.20 | 16 | 406.40 | 32 1/2 | 825.50 | 20 1/2 | 520.70 | 7/8 | 22.23 | 14 1/2 | 368.30 | 3/4 | 19.05 | 15 1/2 | 393.70 | 3/8 | 9.53 | - | - |
| - | 1318 | 13 1/8 | 333.38 | 16 1/8 | 409.58 | 32 1/2 | 825.50 | 21 | 533.40 | 7/8 | 22.23 | 14 5/8 | 371.48 | 3/4 | 19.05 | 15 3/4 | 400.05 | 3/8 | 9.53 | - | - |
| - | 1314 | 13 1/4 | 336.55 | 16 1/4 | 412.75 | 32 1/2 | 825.50 | 21 | 533.40 | 7/8 | 22.23 | 14 3/4 | 374.65 | 3/4 | 19.05 | 15 3/4 | 400.05 | 3/8 | 9.53 | - | - |
| - | 1338 | 13 3/8 | 339.73 | 16 3/8 | 415.93 | 32 1/2 | 825.50 | 21 | 533.40 | 7/8 | 22.23 | 14 7/8 | 377.83 | 3/4 | 19.05 | 15 3/4 | 400.05 | 3/8 | 9.53 | - | - |
| - | 1312 | 13 1/2 | 342.90 | 16 1/2 | 419.10 | 32 1/2 | 825.50 | 21 3/8 | 542.93 | 7/8 | 22.23 | 15 | 381.00 | 3/4 | 19.05 | 16 1/4 | 412.75 | 3/8 | 9.53 | - | - |
| - | 1358 | 13 5/8 | 346.08 | 16 5/8 | 422.28 | 32 1/2 | 825.50 | 21 3/8 | 542.93 | 7/8 | 22.23 | 15 1/8 | 384.18 | 3/4 | 19.05 | 16 1/4 | 412.75 | 3/8 | 9.53 | - | - |
| - | 1334 | 13 3/4 | 349.25 | 16 3/4 | 425.45 | 32 1/2 | 825.50 | 21 3/8 | 542.93 | 7/8 | 22.23 | 15 1/4 | 387.35 | 3/4 | 19.05 | 16 1/4 | 412.75 | 3/8 | 9.53 | - | - |
| - | 1378 | 13 7/8 | 352.43 | 16 7/8 | 428.63 | 32 1/2 | 825.50 | 21 3/4 | 552.45 | 7/8 | 22.23 | 15 3/8 | 390.53 | 3/4 | 19.05 | 16 5/8 | 422.28 | 3/8 | 9.53 | - | - |
| - | 1400 | 14 | 355.60 | 17 | 431.80 | 35 | 889.00 | 21 3/4 | 552.45 | 7/8 | 22.23 | 15 1/2 | 393.70 | 3/4 | 19.05 | 16 5/8 | 422.28 | 3/8 | 9.53 | - | - |
| - | 1418 | 14 1/8 | 358.78 | 17 1/8 | 434.98 | 35 | 889.00 | 21 3/4 | 552.45 | 7/8 | 22.23 | 15 5/8 | 396.88 | 3/4 | 19.05 | 16 5/8 | 422.28 | 3/8 | 9.53 | - | - |
| - | 1414 | 14 1/4 | 361.95 | 17 1/4 | 438.15 | 35 | 889.00 | 22 1/8 | 561.98 | 7/8 | 22.23 | 15 3/4 | 400.05 | 3/4 | 19.05 | 17 1/4 | 438.15 | 3/8 | 9.53 | - | - |
| - | 1438 | 14 3/8 | 365.13 | 17 3/8 | 441.33 | 35 | 889.00 | 22 1/8 | 561.98 | 7/8 | 22.23 | 15 7/8 | 403.23 | 3/4 | 19.05 | 17 1/4 | 438.15 | 3/8 | 9.53 | - | - |
| - | 1412 | 14 1/2 | 368.30 | 17 5/8 | 447.68 | 35 | 889.00 | 22 1/8 | 561.98 | 7/8 | 22.23 | 16 | 406.40 | 13/16 | 20.64 | 17 1/4 | 438.15 | 3/8 | 9.53 | - | - |
| - | 1458 | 14 5/8 | 371.48 | 17 3/4 | 450.85 | 35 | 889.00 | 22 1/2 | 571.50 | 7/8 | 22.23 | 16 1/8 | 409.58 | 13/16 | 20.64 | 17 1/2 | 444.50 | 3/8 | 9.53 | - | - |
| - | 1434 | 14 3/4 | 374.65 | 17 7/8 | 454.03 | 35 | 889.00 | 22 1/2 | 571.50 | 7/8 | 22.23 | 16 1/4 | 412.75 | 13/16 | 20.64 | 17 1/2 | 444.50 | 3/8 | 9.53 | - | - |
| - | 1478 | 14 7/8 | 377.83 | 18 | 457.20 | 35 | 889.00 | 22 3/4 | 577.85 | 7/8 | 22.23 | 16 3/8 | 415.93 | 13/16 | 20.64 | 17 3/4 | 450.85 | 3/8 | 9.53 | - | - |
| - | 1500 | 15 | 381.00 | 18 1/8 | 460.38 | 35 | 889.00 | 22 3/4 | 577.85 | 7/8 | 22.23 | 16 1/2 | 419.10 | 13/16 | 20.64 | 17 3/4 | 450.85 | 3/8 | 9.53 | - | - |

NAVAL BRASS FLANGED

Flanged Bearing Drilling Diagram

STRUT OR AFT STERN TUBE BEARINGS



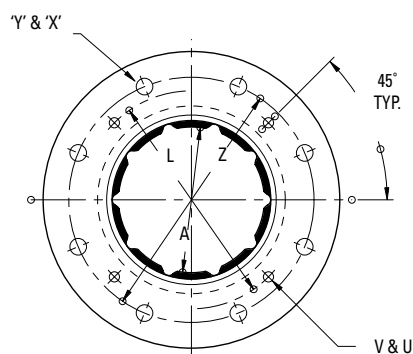
- A** = OD SHAFT OR SLEEVE
- J** = NO. OF HOLES (EQUALLY SPACED)
- K** = DRILL SIZE
- L** = BOLT CIRCLE DIAMETERS
- U** = NO. OF JACKSCREW HOLES (SPACED AS SHOWN)
- V** = JACKSCREW TAP SIZE

| A | J | K | L | U | V |
|-------|---|-------|--------|---|-----|
| 6 | 6 | 11/16 | 9 | 4 | 1/2 |
| 6 1/8 | 6 | 11/16 | 9 1/8 | 4 | 1/2 |
| 6 1/4 | 6 | 11/16 | 9 1/4 | 4 | 1/2 |
| 6 3/8 | 6 | 11/16 | 9 3/8 | 4 | 1/2 |
| 6 1/2 | 8 | 11/16 | 9 5/8 | 4 | 1/2 |
| 6 5/8 | 8 | 11/16 | 9 3/4 | 4 | 1/2 |
| 6 3/4 | 8 | 11/16 | 10 | 4 | 1/2 |
| 6 7/8 | 8 | 11/16 | 10 1/8 | 4 | 1/2 |
| 7 | 8 | 11/16 | 10 1/4 | 4 | 5/8 |

| A | J | K | L | U | V |
|--------|---|-------|--------|---|-----|
| 7 1/8 | 8 | 11/16 | 10 3/8 | 4 | 5/8 |
| 7 1/4 | 8 | 11/16 | 10 1/2 | 4 | 5/8 |
| 7 3/8 | 8 | 11/16 | 10 3/4 | 4 | 5/8 |
| 7 1/2 | 8 | 11/16 | 10 7/8 | 4 | 5/8 |
| 7 5/8 | 8 | 11/16 | 11 | 4 | 5/8 |
| 7 3/4 | 8 | 11/16 | 11 1/8 | 4 | 5/8 |
| 7 7/8 | 8 | 11/16 | 11 1/4 | 4 | 5/8 |
| 8 | 8 | 13/16 | 11 5/8 | 4 | 5/8 |
| 8 1/8 | 8 | 13/16 | 11 3/4 | 4 | 5/8 |
| 8 1/4 | 8 | 13/16 | 11 7/8 | 4 | 5/8 |
| 8 3/8 | 8 | 13/16 | 12 | 4 | 5/8 |
| 8 1/2 | 8 | 13/16 | 12 1/8 | 4 | 5/8 |
| 8 5/8 | 8 | 13/16 | 12 1/4 | 4 | 5/8 |
| 8 3/4 | 8 | 13/16 | 12 3/8 | 4 | 5/8 |
| 8 7/8 | 8 | 13/16 | 12 1/2 | 4 | 5/8 |
| 9 | 8 | 13/16 | 12 5/8 | 4 | 3/4 |
| 9 1/8 | 8 | 13/16 | 12 3/4 | 4 | 3/4 |
| 9 1/4 | 8 | 13/16 | 12 7/8 | 4 | 3/4 |
| 9 3/8 | 8 | 13/16 | 13 | 4 | 3/4 |
| 9 1/2 | 8 | 13/16 | 13 1/8 | 4 | 3/4 |
| 9 5/8 | 8 | 13/16 | 13 1/4 | 4 | 3/4 |
| 9 3/4 | 8 | 13/16 | 13 1/2 | 4 | 3/4 |
| 9 7/8 | 8 | 13/16 | 13 5/8 | 4 | 3/4 |
| 10 | 8 | 13/16 | 13 3/4 | 4 | 3/4 |
| 10 1/8 | 8 | 15/16 | 13 7/8 | 4 | 3/4 |
| 10 1/4 | 8 | 15/16 | 14 | 4 | 3/4 |
| 10 3/8 | 8 | 15/16 | 14 1/8 | 4 | 3/4 |
| 10 1/2 | 8 | 13/16 | 14 1/4 | 4 | 3/4 |
| 10 5/8 | 8 | 13/16 | 14 3/8 | 4 | 3/4 |
| 10 3/4 | 8 | 13/16 | 14 1/2 | 4 | 3/4 |
| 10 7/8 | 8 | 15/16 | 14 7/8 | 4 | 3/4 |
| 11 | 8 | 15/16 | 15 1/8 | 4 | 3/4 |
| 11 1/8 | 8 | 15/16 | 15 1/4 | 4 | 3/4 |

| A | J | K | L | U | V |
|--------|----|-------|--------|---|-----|
| 11 1/4 | 8 | 15/16 | 15 3/8 | 4 | 3/4 |
| 11 3/8 | 10 | 15/16 | 15 5/8 | 4 | 3/4 |
| 11 1/2 | 10 | 15/16 | 15 3/4 | 4 | 3/4 |
| 11 5/8 | 10 | 15/16 | 15 7/8 | 4 | 3/4 |
| 11 3/4 | 10 | 15/16 | 16 | 4 | 3/4 |
| 11 7/8 | 10 | 15/16 | 16 1/8 | 4 | 3/4 |
| 12 | 10 | 15/16 | 16 3/8 | 4 | 3/4 |
| 12 1/8 | 10 | 15/16 | 16 1/2 | 4 | 3/4 |
| 12 1/4 | 10 | 15/16 | 16 5/8 | 4 | 3/4 |
| 12 3/8 | 10 | 15/16 | 16 3/4 | 4 | 3/4 |
| 12 1/2 | 10 | 15/16 | 16 7/8 | 4 | 3/4 |
| 12 5/8 | 10 | 15/16 | 17 | 4 | 3/4 |
| 12 3/4 | 10 | 15/16 | 17 1/8 | 4 | 3/4 |
| 12 7/8 | 10 | 15/16 | 17 1/4 | 4 | 3/4 |
| 13 | 10 | 15/16 | 17 1/2 | 4 | 7/8 |
| 13 1/8 | 10 | 15/16 | 17 5/8 | 4 | 7/8 |
| 13 1/4 | 10 | 15/16 | 17 3/4 | 4 | 7/8 |
| 13 3/8 | 10 | 15/16 | 17 7/8 | 4 | 7/8 |
| 13 1/2 | 12 | 15/16 | 18 | 4 | 7/8 |
| 13 5/8 | 12 | 15/16 | 18 1/8 | 4 | 7/8 |
| 13 3/4 | 12 | 15/16 | 18 1/4 | 4 | 7/8 |
| 13 7/8 | 12 | 15/16 | 18 3/8 | 4 | 7/8 |
| 14 | 12 | 15/16 | 18 1/2 | 4 | 7/8 |
| 14 1/8 | 12 | 15/16 | 18 5/8 | 4 | 7/8 |
| 14 1/4 | 12 | 15/16 | 18 3/4 | 4 | 7/8 |
| 14 3/8 | 12 | 15/16 | 18 7/8 | 4 | 7/8 |
| 14 1/2 | 12 | 15/16 | 19 1/8 | 4 | 7/8 |
| 14 5/8 | 12 | 15/16 | 19 1/4 | 4 | 7/8 |
| 14 3/4 | 12 | 15/16 | 19 3/8 | 4 | 7/8 |
| 14 7/8 | 12 | 15/16 | 19 1/2 | 4 | 7/8 |
| 15 | 12 | 15/16 | 19 5/8 | 4 | 7/8 |

FORWARD STERN TUBE BEARINGS



- A** = OD SHAFT OR SLEEVE
- X** = NO. OF HOLES (EQUALLY SPACED)
- Y** = DRILL SIZE
- L & Z** = BOLT CIRCLE DIAMETERS
- U** = NO. OF JACKSCREW HOLES (SPACED AS SHOWN)
- V** = JACKSCREW TAP SIZE

| A | X | Y | Z | L | U | V |
|-------|---|-------|--------|--------|---|-----|
| 6 | 8 | 11/16 | 10 1/8 | 9 | 4 | 1/2 |
| 6 1/8 | 8 | 11/16 | 10 1/8 | 9 1/8 | 4 | 1/2 |
| 6 1/4 | 8 | 11/16 | 10 1/8 | 9 1/4 | 4 | 1/2 |
| 6 3/8 | 8 | 11/16 | 10 1/8 | 9 3/8 | 4 | 1/2 |
| 6 1/2 | 8 | 13/16 | 11 3/8 | 9 5/8 | 4 | 1/2 |
| 6 5/8 | 8 | 13/16 | 11 3/8 | 9 3/4 | 4 | 1/2 |
| 6 3/4 | 8 | 13/16 | 12 | 10 | 4 | 1/2 |
| 6 7/8 | 8 | 13/16 | 12 | 10 1/8 | 4 | 1/2 |
| 7 | 8 | 13/16 | 12 | 10 1/4 | 4 | 5/8 |

| A | X | Y | Z | L | U | V |
|--------|---|-------|--------|--------|---|-----|
| 7 1/8 | 8 | 13/16 | 12 3/8 | 10 3/8 | 4 | 5/8 |
| 7 1/4 | 8 | 13/16 | 12 3/8 | 10 1/2 | 4 | 5/8 |
| 7 3/8 | 8 | 13/16 | 12 3/8 | 10 3/4 | 4 | 5/8 |
| 7 1/2 | 8 | 13/16 | 12 3/4 | 10 7/8 | 4 | 5/8 |
| 7 5/8 | 8 | 13/16 | 12 3/4 | 11 | 4 | 5/8 |
| 7 3/4 | 8 | 13/16 | 12 3/4 | 11 1/8 | 4 | 5/8 |
| 7 7/8 | 8 | 13/16 | 13 1/8 | 11 1/4 | 4 | 5/8 |
| 8 | 8 | 13/16 | 13 1/8 | 11 5/8 | 4 | 5/8 |
| 8 1/8 | 8 | 13/16 | 13 1/8 | 11 3/4 | 4 | 5/8 |
| 8 1/4 | 8 | 13/16 | 13 1/2 | 11 7/8 | 4 | 5/8 |
| 8 3/8 | 8 | 13/16 | 13 1/2 | 12 | 4 | 5/8 |
| 8 1/2 | 8 | 13/16 | 13 1/2 | 12 1/8 | 4 | 5/8 |
| 8 5/8 | 8 | 13/16 | 13 7/8 | 12 1/4 | 4 | 5/8 |
| 8 3/4 | 8 | 13/16 | 13 7/8 | 12 3/8 | 4 | 5/8 |
| 8 7/8 | 8 | 13/16 | 13 7/8 | 12 1/2 | 4 | 5/8 |
| 9 | 8 | 13/16 | 14 1/4 | 12 5/8 | 4 | 3/4 |
| 9 1/8 | 8 | 13/16 | 14 1/4 | 12 3/4 | 4 | 3/4 |
| 9 1/4 | 8 | 13/16 | 14 1/4 | 12 7/8 | 4 | 3/4 |
| 9 3/8 | 8 | 13/16 | 14 5/8 | 13 | 4 | 3/4 |
| 9 1/2 | 8 | 13/16 | 14 5/8 | 13 1/8 | 4 | 3/4 |
| 9 5/8 | 8 | 13/16 | 14 5/8 | 13 1/4 | 4 | 3/4 |
| 9 3/4 | 8 | 13/16 | 15 | 13 1/2 | 4 | 3/4 |
| 9 7/8 | 8 | 13/16 | 15 | 13 5/8 | 4 | 3/4 |
| 10 | 8 | 13/16 | 15 | 13 3/4 | 4 | 3/4 |
| 10 1/8 | 8 | 15/16 | 15 3/4 | 13 7/8 | 4 | 3/4 |
| 10 1/4 | 8 | 15/16 | 15 3/4 | 14 | 4 | 3/4 |
| 10 3/8 | 8 | 15/16 | 15 3/4 | 14 1/8 | 4 | 3/4 |
| 10 1/2 | 8 | 15/16 | 16 1/8 | 14 1/4 | 4 | 3/4 |
| 10 5/8 | 8 | 15/16 | 16 1/8 | 14 3/8 | 4 | 3/4 |
| 10 3/4 | 8 | 15/16 | 16 1/8 | 14 1/2 | 4 | 3/4 |
| 10 7/8 | 8 | 15/16 | 16 1/2 | 14 7/8 | 4 | 3/4 |
| 11 | 8 | 15/16 | 16 1/2 | 15 1/8 | 4 | 3/4 |
| 11 1/8 | 8 | 15/16 | 16 1/2 | 15 1/4 | 4 | 3/4 |

| A | X | Y | Z | L | U | V |
|--------|----|-------|--------|--------|---|-----|
| 11 1/4 | 8 | 15/16 | 16 7/8 | 15 3/8 | 4 | 3/4 |
| 11 3/8 | 8 | 15/16 | 16 7/8 | 15 5/8 | 4 | 3/4 |
| 11 1/2 | 8 | 15/16 | 16 7/8 | 15 3/4 | 4 | 3/4 |
| 11 5/8 | 12 | 15/16 | 17 1/4 | 15 7/8 | 4 | 3/4 |
| 11 3/4 | 12 | 15/16 | 17 1/4 | 16 | 4 | 3/4 |
| 11 7/8 | 12 | 15/16 | 17 1/4 | 16 1/8 | 4 | 3/4 |
| 12 | 12 | 15/16 | 17 5/8 | 16 3/8 | 4 | 3/4 |
| 12 1/8 | 12 | 15/16 | 17 5/8 | 16 1/2 | 4 | 3/4 |
| 12 1/4 | 12 | 15/16 | 17 5/8 | 16 5/8 | 4 | 3/4 |
| 12 3/8 | 12 | 15/16 | 18 | 16 3/4 | 4 | 3/4 |
| 12 1/2 | 12 | 15/16 | 18 | 16 7/8 | 4 | 3/4 |
| 12 5/8 | 12 | 15/16 | 18 | 17 | 4 | 3/4 |
| 12 3/4 | 12 | 15/16 | 18 3/8 | 17 1/8 | 4 | 3/4 |
| 12 7/8 | 12 | 15/16 | 18 3/8 | 17 1/4 | 4 | 3/4 |
| 13 | 12 | 15/16 | 18 3/8 | 17 1/2 | 4 | 7/8 |
| 13 1/8 | 12 | 15/16 | 18 7/8 | 17 5/8 | 4 | 7/8 |
| 13 1/4 | 12 | 15/16 | 18 7/8 | 17 3/4 | 4 | 7/8 |
| 13 3/8 | 12 | 15/16 | 18 7/8 | 17 7/8 | 4 | 7/8 |
| 13 1/2 | 12 | 15/16 | 19 1/4 | 18 | 4 | 7/8 |
| 13 5/8 | 12 | 15/16 | 19 1/4 | 18 1/8 | 4 | 7/8 |
| 13 3/4 | 12 | 15/16 | 19 1/4 | 18 1/4 | 4 | 7/8 |
| 13 7/8 | 12 | 15/16 | 19 5/8 | 18 3/8 | 4 | 7/8 |
| 14 | 12 | 15/16 | 19 5/8 | 18 1/2 | 4 | 7/8 |
| 14 1/8 | 12 | 15/16 | 19 5/8 | 18 5/8 | 4 | 7/8 |
| 14 1/4 | 12 | 15/16 | 20 | 18 3/4 | 4 | 7/8 |
| 14 3/8 | 12 | 15/16 | 20 | 18 7/8 | 4 | 7/8 |
| 14 1/2 | 12 | 15/16 | 20 | 19 1/8 | 4 | 7/8 |
| 14 5/8 | 12 | 15/16 | 20 3/8 | 19 1/4 | 4 | 7/8 |
| 14 3/4 | 12 | 15/16 | 20 3/8 | 19 3/8 | 4 | 7/8 |
| 14 7/8 | 12 | 15/16 | 20 5/8 | 19 1/2 | 4 | 7/8 |
| 15 | 12 | 15/16 | 20 5/8 | 19 5/8 | 4 | 7/8 |

Clearances and tolerances.

Johnson® Cutless® bearings are furnished with the correct clearance to fit the specified shaft size. In every case, the shaft should have an easy running fit through the bearing, it must never be forced through the bearing.

For applications where the bearing lubrication exceeds 95°F, greater bearing clearances are required. Complete operating requirements including maximum ambient water temperature and loading requirements should be provided to Duramax® engineering for review.

It is difficult to make accurate I.D. measurements on a Johnson® Cutless® that is less than six inches in diameter with a two-point micrometers since the soft rubber lining will deflect. In addition, variations in ambient temperature will produce dimensional changes in Johnson® Cutless® bearings because of the coefficient of thermal expansion of rubber is substantially greater than for metals. Therefore, the best practice is to always check the inside diameter measurements of smaller bearings with plug gages.



The following are the standards as established by the U.S. Navy, according to BuShips plan number 810-1385664, dated 14 January 1963 "Bearing Stern Tube and Strut".

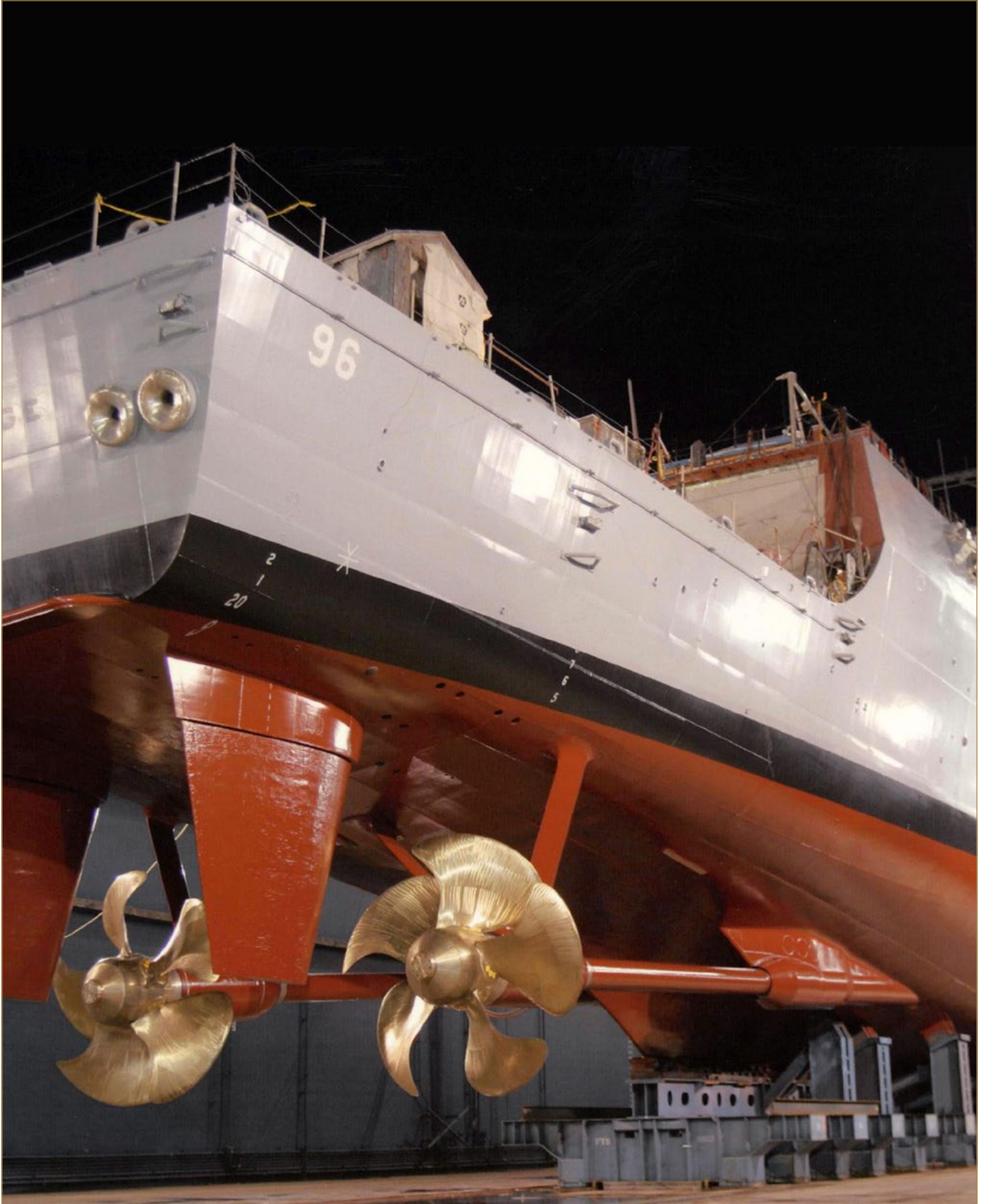
| Shaft or Sleeve Size | | | Shaft Clearance* | | |
|----------------------|------|---------|------------------|----|--------|
| 3/4" | thru | 1 3/8" | +0.003 | to | +0.008 |
| 1 7/16" | thru | 1 7/8" | +0.004 | to | +0.010 |
| 2" | thru | 2 3/8" | +0.006 | to | +0.012 |
| 2 1/2" | thru | 3" | +0.007 | to | +0.014 |
| 3 1/8" | thru | 3 3/4" | +0.008 | to | +0.015 |
| 3 7/8" | thru | 4 1/4" | +0.010 | to | +0.017 |
| 4 3/8" | thru | 4 7/8" | +0.012 | to | +0.019 |
| 5" | thru | 5 3/8" | +0.015 | to | +0.023 |
| 5 1/2" | thru | 5 7/8" | +0.017 | to | +0.025 |
| 6" | thru | 6 3/8" | +0.020 | to | +0.029 |
| 6 1/2" | thru | 6 7/8" | +0.022 | to | +0.032 |
| 7" | thru | 7 3/8" | +0.024 | to | +0.034 |
| 7 1/2" | thru | 7 7/8" | +0.025 | to | +0.035 |
| 8" | thru | 8 3/8" | +0.027 | to | +0.037 |
| 8 1/2" | thru | 8 7/8" | +0.028 | to | +0.040 |
| 9" | thru | 9 7/8" | +0.030 | to | +0.042 |
| 10" | thru | 10 7/8" | +0.032 | to | +0.044 |
| 11" | thru | 11 3/8" | +0.034 | to | +0.048 |
| 11 1/2" | thru | 12 3/4" | +0.035 | to | +0.050 |
| 12 7/8" | thru | 13 3/8" | +0.037 | to | +0.052 |
| 13 1/2" | thru | 14 1/2" | +0.040 | to | +0.055 |
| 14 5/8" | thru | 15" | +0.042 | to | +0.058 |

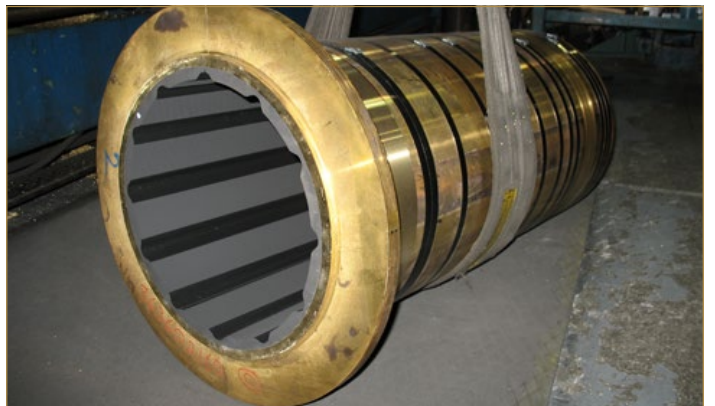
| O.D. Tolerance | | | | | |
|----------------|------|--------|--------|----|--------|
| 1 1/4" | thru | 2" | +0.001 | to | -0.001 |
| 2" | thru | 6" | +0.002 | to | -0.001 |
| 6" | thru | 7 1/2" | +0.002 | to | -0.002 |
| 7 3/4" | thru | 12" | +0.005 | to | -0.005 |
| 12" | thru | 16" | +0.006 | to | -0.006 |
| 16" | thru | 18" | +0.008 | to | -0.008 |

ALL DIMENSIONS IN INCHES

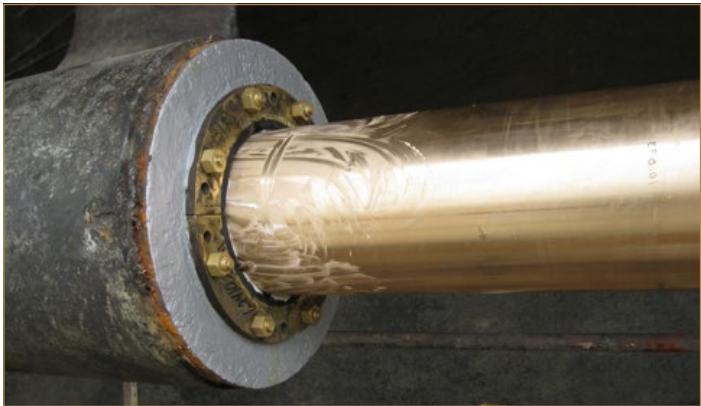
* Due to recent changes to stainless steel shafting tolerances, Duramax Marine® has adjusted bearing overshaft clearances to compensate for positive diametrical tolerances. Please contact Duramax Marine® for overshaft bearing clearance.

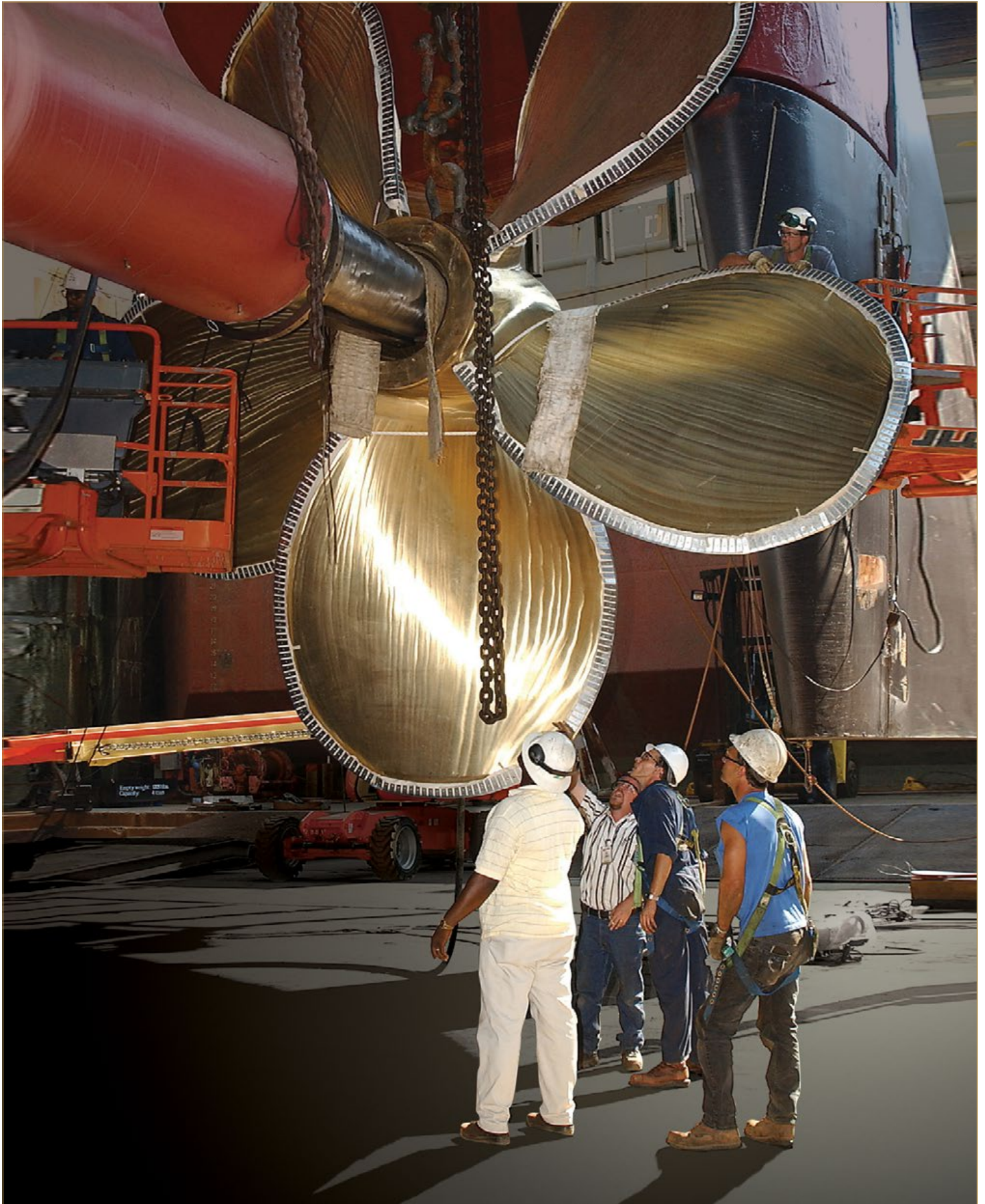
Johnson® Cutless® Water-Lubricated Bearing Systems





Johnson® Cutless® Water-Lubricated Bearing Systems





INNOVATION.
EXPERIENCE.
RESULTS.

Duramax Marine® is committed to providing excellence in every product we manufacture. Our Johnson Cutless® marine and industrial bearings, heat exchangers, impact protection systems and sealing systems are known worldwide for their engineered quality and dependable performance. Please contact the factory for information on any of the following Duramax Marine® products:



JOHNSON CUTLESS® WATER-LUBRICATED BEARING SYSTEMS

Johnson Cutless® Sleeve and Flanged Bearings



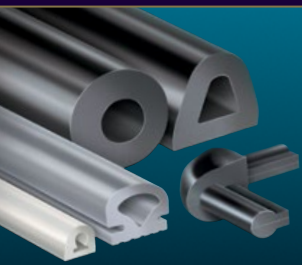
DURAMAX® ADVANCED WATER-LUBRICATED BEARING SYSTEMS

Johnson® Demountable Stave Bearings
ROMOR® I Stave Bearings and Segmental Housings
ROMOR® C- Partial Arc Bearings
DMX® Polymer Alloy Bearings
DuraBlue® Bearings, Rudder & Pintle Bushings, Thrust Washers, and Wear Pads
Industrial Pump Bearing Systems



DURAMAX® HEAT EXCHANGE SYSTEMS

DuraCooler® Keel Coolers
Duramax® Demountable Keel Coolers
Duramax® BoxCoolers



DURAMAX® IMPACT PROTECTION SYSTEMS

Johnson® Commercial Dock Bumpers, Fenders & Tow Knees
LINERITE® Composite Batterboard Systems



DURAMAX® SHAFT SEALING SYSTEMS

DryMax® Shaft Seal & Rudder Seal
Duramax® Mechanical Shaft Seal
Johnson® Heavy-Duty Air Seal Stuffing Boxes
Duramax® Ultra-X® High Performance Compression Packing

©2023 Duramax Marine®
17990 Great Lakes Parkway
Hiram, Ohio 44234 U.S.A.
PHONE 440.834.5400
FAX 440.834.4950
info@DuramaxMarine.com
www.DuramaxMarine.com

Duramax Marine® is an ISO 9001:2015 Certified Company

DURAMAX MARINE®